

Marshall

STANMORE MULTI-ROOM

USER MANUAL

LEGAL & TRADEMARK NOTICE

- Design of device and packaging are intellectual properties of Zound Industries International AB and Marshall Amplification PLC. © 2017 All Rights Reserved. Zound Industries International AB is hereinafter referred to as “Zound Industries” or “manufacturer”.
- MARSHALL, Marshall Amps, their respective logos, “Marshall” and “Marshall” trade dress are trademarks and intellectual property of Marshall Amplification PLC and may not be used without permission. Permission granted to Zound Industries.
- Android™, Google Play™ and Chromecast™ are trademarks of Google Inc.
- Apple, AirPlay, iPod, iPhone, iPad, iTunes and the Apple and AirPlay logos are trademarks of Apple Inc., registered in the U.S. and other countries.
- Spotify® and the Spotify Connect® logos are trademarks of the Spotify® Group, registered in the U.S. and other countries.
- The Spotify® software is subject to third party licenses found here: <https://developer.spotify.com/esdk-third-party-licenses>.
- The Bluetooth® word mark and logos are registered trademarks owned by Bluetooth® SIG, Inc. and any use of such marks by Zound Industries is under license.
- Wi-Fi® is a registered trademark of Wi-Fi Alliance®.
- All other trademarks are the property of their respective owners and may not be used without permission.
- “Made for iPod”, “Made for iPhone”, and “Made for iPad”, mean that an electronic accessory has been designed to connect specifically to iPod, iPhone, or iPad, respectively, and has been certified by the developer to meet Apple performance standards. Apple is not responsible for the operation of this device or its compliance with safety and regulatory standards. Please note that the use of this accessory with the iPod, iPhone, or iPad may affect wireless performance.

DISCLAIMER

Please note that the availability of third party services, including but not limited to Chromecast built-in™, AirPlay®, Spotify®, and this device’s compatibility with the same, is subject to the respective rights holder’s consent, which may be withdrawn, and supply of such services, which may be terminated, resulting in this device not being compatible with such third party services, without any liabilities for Zound Industries.

The availability of third party services may need separate agreements between you and any third party and Zound Industries do not take responsibility for the availability of such services.

For more legal information related to this Marshall device and for information related to Zound Industries, visit the website:
<http://www.marshallheadphones.com>

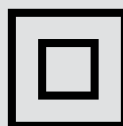
IMPORTANT SAFETY INSTRUCTIONS



- This lightning flash with arrowhead symbol within an equilateral triangle is intended to alert the user to the presence of non-insulated “dangerous voltage” within the product’s enclosure that may be of sufficient magnitude to constitute a risk of electric shock.
 - Warning: To reduce the risk of electric shock, do not remove cover (or back) as there are no user-serviceable parts inside. Refer servicing to qualified personnel.
 - The exclamation point within an equilateral triangle is intended to alert the user to the presence of important operating and maintenance instructions in the literature accompanying the product.
1. Read these instructions – All the safety and operating instructions should be read before this product is operated.
 2. Keep these instructions – The safety and operating instructions should be retained for future reference.
 3. Heed all warnings – All warnings on the product and in the operating instructions should be adhered to.
 4. Follow all instructions – All operating and use instructions should be followed.
 5. Do not use this product near water – The product should not be used near water or moisture – for example, in a wet basement or near a swimming pool, and the like.
 6. Clean only with dry cloth.
 7. Do not block any ventilation openings. Install in accordance with the manufacturer’s instructions.
 8. Do not install near any heat sources such as radiators, heat registers, stoves, or other apparatus (including amplifiers) that produce heat.
 9. (US plug only) Do not defeat the safety purpose of the polarized or grounding plug. A polarized plug has two blades with one wider than the other. A grounding plug has two blades and a third grounding prong. The wide blade or the third prong is provided for your safety. If the provided plug does not fit into your outlet, consult an electrician for replacement of the obsolete outlet.
 10. Protect the power cord from being walked on or pinched particularly at the plugs, convenience receptacles, and at the point where they exit from the product.
 11. Only use attachments/accessories specified by the manufacturer.
 12. Use only with the cart, stand, tripod, bracket, or table specified by the manufacturer, or sold with the product. When a cart or rack is used, use caution when moving the cart/product combination to avoid injury from tip-over.



13. Unplug this product during lightning storms or when unused for long periods of time.
14. Refer all servicing to qualified personnel. Servicing is required when the product has been damaged in any way, such as power supply cord or plug is damaged, liquid has been spilled or objects have fallen into the product, the product has been exposed to rain or moisture, does not operate normally, or has been dropped.



This equipment is a Class II or double insulated electrical appliance. It has been designed in such a way that it does not require a safety connection to electrical earth.

WARNING

- To reduce the risk of fire or electric shock, do not expose this product to rain or moisture. The product shall not be exposed to dripping or splashing and objects filled with liquids, such as vases, shall not be placed on product.
- The mains plug is used as disconnect device, the disconnect device shall remain readily operable.

INSTALLATION & CONNECTION

- Connect the product according to the instructions in this manual.
- Connect the product only to the correct mains voltage as shown on the product.
- Protect the power cord from being walked on or pinched particularly at plugs, convenience receptacles, and the point where they exit the product.
- Use only power cables of the type specified in these operating instructions or as marked on the product.
- Do not defeat the safety purpose of the polarized or grounding-type plug.
- If the provided plug does not fit into your outlet, consult an electrician for replacement of the obsolete outlet.
- Unplug the product during lightning storms or when unused for long periods of time.
- Do not install this product in a confined or a built-in space. Only install the product in a well ventilated and open location. The ventilation should not be impeded by covering the ventilation openings with items such as newspaper, table-cloths, curtains etc.
- No naked flame sources, such as lighted candles, should be placed on the product.

CLEANING & MAINTENANCE

Refer all servicing to qualified service personnel. Servicing is required when the product has been damaged in any way, such as power-supply cord or plug is damaged, liquid has been spilled or objects have fallen into the product, the product has been exposed to rain or moisture, does not operate normally, or has been dropped.

Clean only with dry cloth.

DISPOSAL & RECYCLING INFORMATION



This product may not be treated as regular household waste. Management of WEEE (Waste Electrical and Electronic Equipment) is applicable in member states of the European Union and other European countries with individual national policies on the management of WEEE. If you need more information on the collection, reuse and recycling systems, please contact your local or regional waste administration facility.

FCC STATEMENT

This device complies with part 15 of the FCC Rules. Operation is subject to the following two conditions: (1) This device may not cause harmful interference, and (2) this device must accept any interference received, including interference that may cause undesired operation.

To comply with FCC's and Industry Canada's RF radiation exposure limits for general population/uncontrolled exposure, this device must be installed to provide a separation distance of at least 20cm from all persons.

This device must not be co-located or operating in conjunction with any other antenna or transmitter.

WARNING: Any changes or modifications not expressly approved by the party responsible for compliance could void the user's authority to operate the equipment.

High power radars are allocated as primary users of the 5.25 to 5.35 GHz and 5.65 to 5.85 GHz bands. These radar stations can cause interference with and/or damage this device. No configuration controls are provided for this wireless equipment allowing any change in the frequency of operations outside the FCC grant of authorization for US operation according to Part 15.407 of the FCC rules.

This equipment has been tested and found to comply with the limits for a Class B digital device, pursuant to part 15 of the FCC Rules. These limits are designed to provide reasonable protection against harmful interference in a residential installation. This equipment generates, uses and can radiate radio frequency energy and, if not installed and used in accordance with the instructions, may cause harmful interference to radio communications. However, there is no guarantee that interference will not occur in a particular installation. If this equipment does cause harmful interference to radio or television reception, which can be determined by turning the equipment off and on, the user is encouraged to try to correct the interference by one or more of the following measures:

- Reorient or relocate the receiving antenna.
- Increase the separation between the equipment and receiver.
- Connect the equipment into an outlet on a circuit different from that to which the receiver is connected.
- Consult the dealer or an experienced radio/TV technician for help.

IC STATEMENT

This device complies with RSS247 of Industry Canada.
Cet appareil se conforme à RSS247 de Canada d'Industrie.

This device complies with Industry Canada license-exempt RSS standard(s). Operation is subject to the following two conditions: (1) this device may not cause interference, and (2) this device must accept any interference, including interference that may cause undesired operation of the device.

Le présent appareil est conforme aux CNR d'Industrie Canada applicables aux appareils radio exempts de licence. L'exploitation est autorisée aux deux conditions suivantes : (1) l'appareil ne doit pas produire de brouillage, et (2) l'utilisateur de l'appareil doit accepter tout brouillage radioélectrique subi, même si le brouillage est susceptible d'en compromettre le fonctionnement.

Radiation Exposure Statement: The product comply with the Canada portable RF exposure limit set forth for an uncontrolled environment and are safe for intended operation as described in this manual.

The further RF exposure reduction can be achieved if the product can be kept as far as possible from the user body or set the device to lower output power if such function is available.

Déclaration d'exposition aux radiations : Le produit est conforme aux limites d'exposition pour les appareils portables RF pour les Etats-Unis et le Canada établies pour un environnement non contrôlé.

Le produit est sûr pour un fonctionnement tel que décrit dans ce manuel. La réduction aux expositions RF peut être augmentée si l'appareil peut être conservé aussi loin que possible du corps de l'utilisateur ou que le dispositif est réglé sur la puissance de sortie la plus faible si une telle fonction est disponible.

This Class B digital apparatus complies with Canadian ICES-003.

Cet appareil numérique de la classe B est conforme à la norme NMB-003 du Canada. CAN ICES-3 (B)/NMB-3(B)

To prevent radio interference to the licensed service, this device is intended to be operated indoors and away from windows to provide maximum shielding. Equipment (or its transmit antenna) that is installed outdoors is subject to licensing.

Pour empêcher que cet appareil cause du brouillage au service faisant l'objet d'une licence, il doit être utilisé à l'intérieur et devrait être placé loin des fenêtres afin de fournir un écran de blindage maximal. Si le matériel (ou son antenne d'émission) est installé à l'extérieur, il doit faire l'objet d'une licence.

Notice for 5 GHz devices

Caution: (i) The device for operation in the band 5150 - 5250 MHz is only for indoor use to reduce the potential for harmful interference to co-channel mobile satellite systems; (ii) the maximum antenna gain permitted for devices in the bands 5250 - 5350 MHz and 5470 - 5725 MHz shall comply with the e.i.r.p. limit; and (iii) the maximum antenna gain permitted for devices in the band 5725 - 5825 MHz shall comply with the e.i.r.p. limits specified for point-to-point and non point-to-point operation as appropriate. (iv) Users should also be advised that high-power radars are allocated as primary users (i.e. priority users) of the bands 5250 - 5350 MHz and 5650 - 5850 MHz and that these radars could cause interference and/or damage to LE-LAN devices.

Exposure of humans to RF fields (RSS-102)

The computers employ low gain integral antennas that do not emit RF field in excess of Health Canada limits for the general population; consult Safety Code 6, obtainable from Health Canada's Web site at <http://www.hc-sc.gc.ca/>

The radiated energy from the antennas connected to the wireless adapters conforms to the IC limit of the RF exposure requirement regarding IC RSS-102, Issue 5 clause 4. SAR tests are conducted using recommended operating positions accepted by the FCC/ RSS with the device transmitting at its highest certified power level in all tested frequency band without distance attaching away from the body. Non-compliance with the above restrictions may result in violation of FCC RF exposure guidelines.

Conformité des appareils de radiocommunication aux limites d'exposition humaine aux radiofréquences (CNR-102)

L'ordinateur utilise des antennes intégrales à faible gain qui n'émettent pas un champ électromagnétique supérieur aux normes imposées par Santé Canada pour la population.

Consultez le Code de sécurité 6 sur le site Internet de Santé Canada à l'adresse suivante: <http://www.hc-sc.gc.ca/> L'énergie émise par les antennes reliées aux cartes sans fil respecte la limite d'exposition aux radiofréquences telle que définie par Industrie Canada dans la clause 4.1 du document CNR-102, version 5. Tests DAS sont effectués en utilisant les positions recommandées par la FCC/CNR avec le téléphone émet à la puissance certifiée maximale dans toutes les bandes de fréquences testées sans distance attacher loin du corps. Non-respect des restrictions ci-dessus peut entraîner une violation des directives de la FCC/CNR.

DECLARATION OF CONFORMITY



Hereby, Zound Industries International AB, declares that this product is in compliance with the essential requirements and other relevant provisions of Radio Equipment Directive (RED) 2014/53/EU and the RoHS directive 2011/65/EU.

For the declaration of conformity, visit this website: <http://www.marshallheadphones.com>

INDEX

ENGLISH

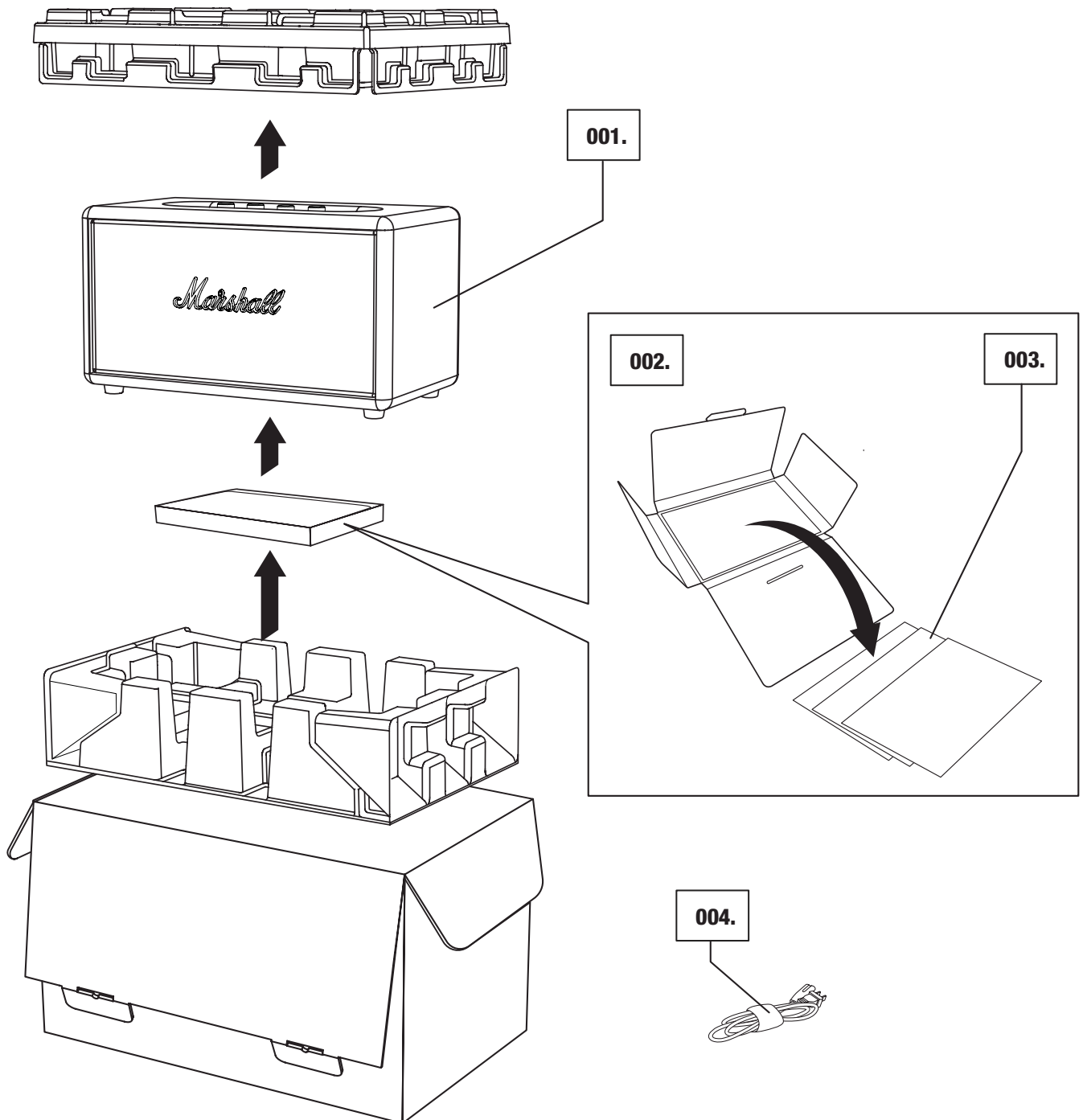
SECTIONS

PAGE

- 002. LEGAL & TRADEMARK NOTICE**
- 003. IMPORTANT SAFETY INSTRUCTIONS**
- 004. INSTALLATION & CONNECTION**
- 004. CLEANING & MAINTENANCE**
- 004. DISPOSAL & RECYCLING INFORMATION**
- 004. FCC STATEMENT**
- 005. IC STATEMENT**
- 005. DECLARATION OF CONFORMITY**
- 007. BOX CONTENTS**
- 008. GENERAL DESCRIPTION**
- 010. PLUGGING IN THE STANMORE MULTI-ROOM**
- 011. SETTING UP THE SPEAKER**
- 012. MANY WAYS TO CONNECT**
- 013. CONNECTING VIA Bluetooth® (PAIRING)**
- 014. CONNECTING VIA AUX OR RCA**
- 015. AUX INPUT - 3.5 mm STEREO PLUG**
- 016. RCA INPUT - RCA PORTS**
- 017. SELECTING THE SOUND SOURCE**
- 018. Wi-Fi® STREAMING WITH SPOTIFY®**
- 019. Wi-Fi STREAMING FROM AirPlay**
- 020. Wi-Fi STREAMING FROM Chromecast built-in**
- 021. Wi-Fi STREAMING FROM INTERNET RADIO**
- 022. STORING PRESETS**
- 023. SINGLE MODE OR MULTI MODE**
- 024. MULTI MODE**
- 025. PLAY, PAUSE, NEXT AND PREVIOUS SONG**
- 026. ADJUSTING THE VOLUME/BASS/TREBLE**
- 027. STANDBY MODE**
- 028. SPEAKER SOFTWARE UPDATE**
- 029. FACTORY RESET**
- 030. TECHNICAL INFORMATION**
- 031. TROUBLESHOOTING**

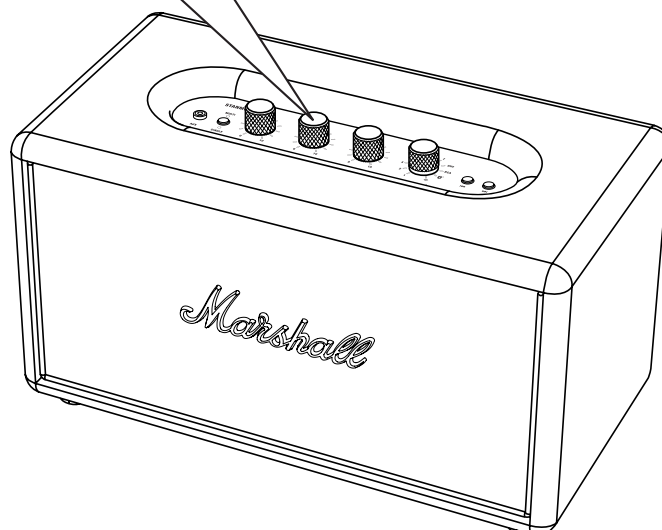
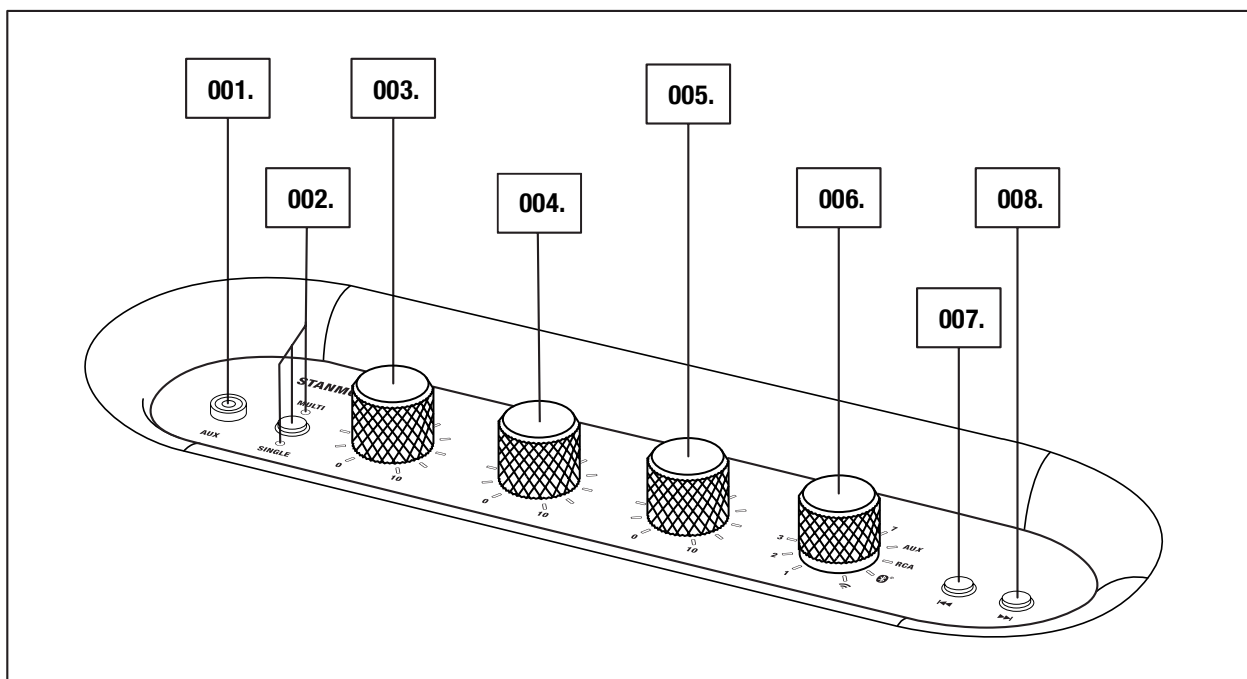
BOX CONTENTS

- 001. MARSHALL STANMORE MULTI-ROOM ACTIVE STEREO LOUDSPEAKER
- 002. QUICK START GUIDE
- 003. IMPORTANT SAFETY INSTRUCTIONS
- 004. POWER CORD



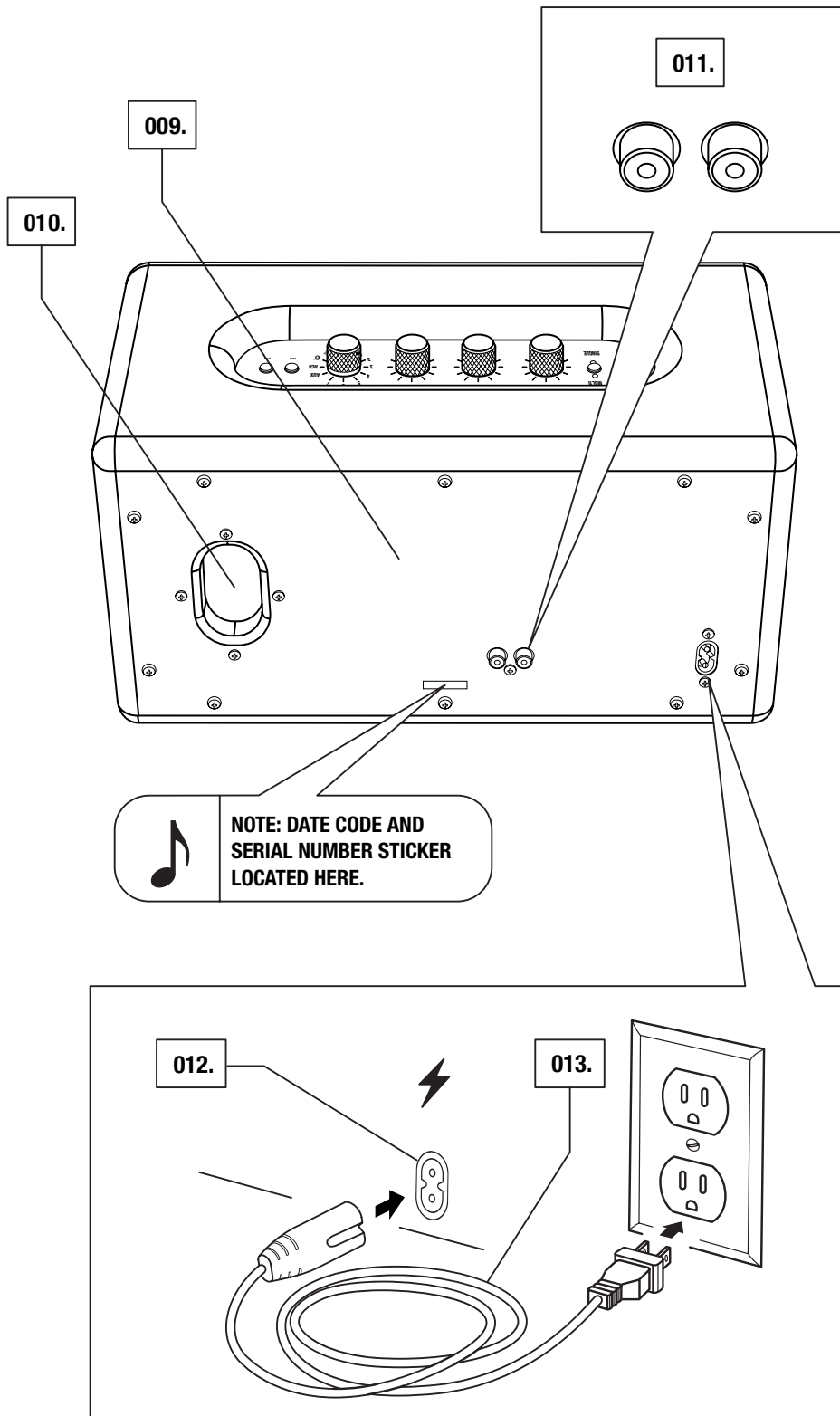
GENERAL DESCRIPTION

- 001. AUX INPUT FOR 3.5 mm STEREO PLUG
- 002. SINGLE/MULTI MODE BUTTON AND INDICATORS
- 003. VOLUME KNOB
- 004. BASS KNOB
- 005. TREBLE KNOB
- 006. SOURCE KNOB
- 007. PREVIOUS SONG BUTTON
- 008. NEXT SONG BUTTON



GENERAL DESCRIPTION CONTINUED

- 009. BACKPLATE
- 010. BASS PORT
- 011. RCA INPUT (LEFT & RIGHT)
- 012. POWER JACK
- 013. POWER CORD



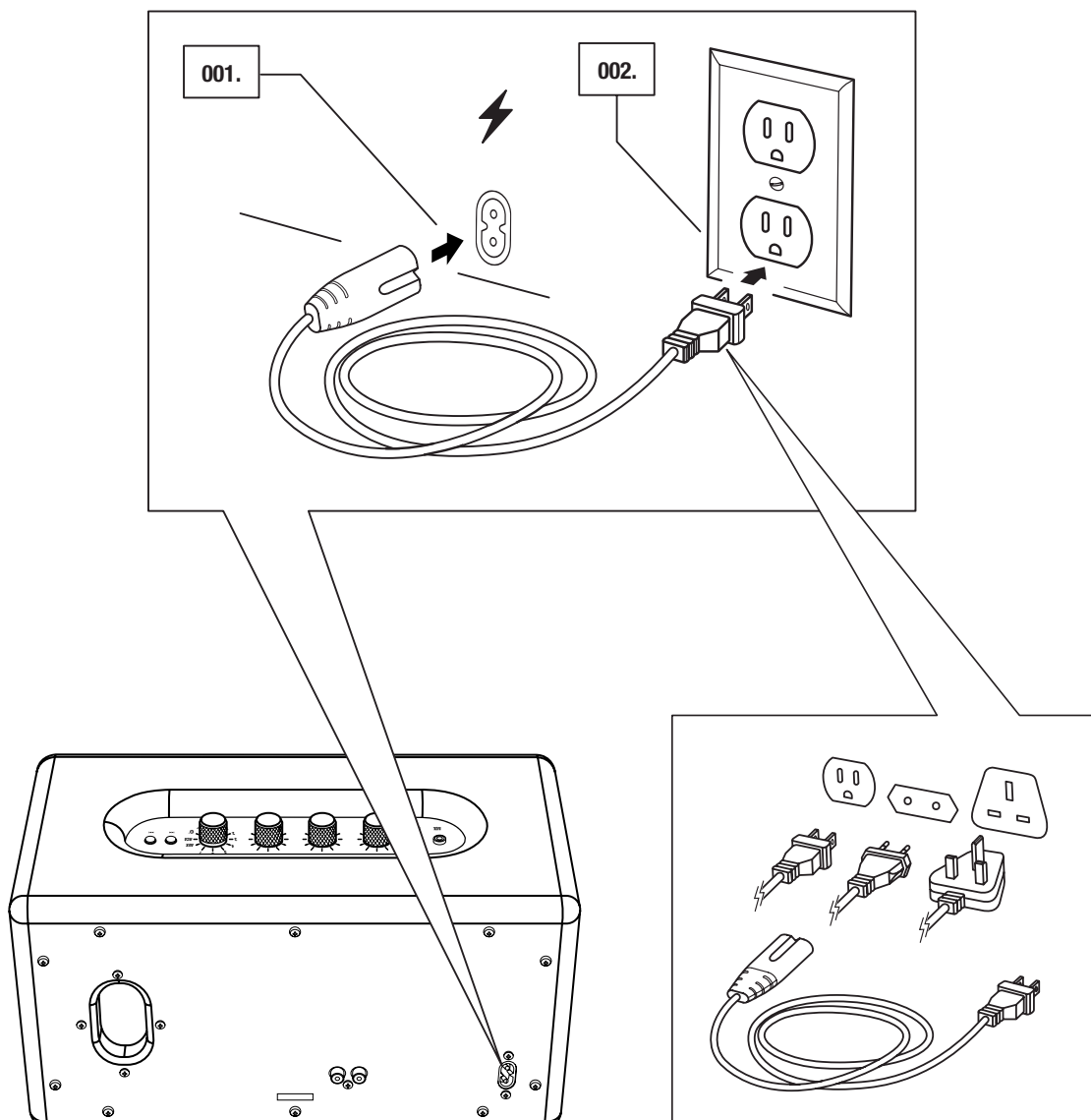
PLUGGING IN THE STANMORE MULTI-ROOM

IMPORTANT: BEFORE PROCEEDING TO STEP 001. BELOW, CHECK THE INCLUDED POWER CORD, POWER PLUG AND YOUR STANMORE MULTI-ROOM SPEAKER ARE COMPATIBLE WITH YOUR MAINS ELECTRICITY SUPPLY AND ASSOCIATED WALL SOCKET.

- 001. INSERT THE POWER CORD INTO THE POWER JACK ON THE BACK OF THE SPEAKER.**
- 002. CONNECT THE POWER PLUG TO THE WALL SOCKET.**
- 003. CONTINUE WITH THE SETUP IF THE SPEAKER HAS NOT YET BEEN CONFIGURED.**



CAUTION: ALWAYS UNPLUG THE POWER CORD FROM THE WALL SOCKET BEFORE DISCONNECTING IT FROM THE SPEAKER.



SETTING UP THE SPEAKER

BEFORE USING YOUR MARSHALL MULTI-ROOM SPEAKER, CONFIGURE IT FOR Wi-Fi® WITH THE GOOGLE HOME APP. USE THE MARSHALL MULTI-ROOM APP TO GET THE MOST OUT OF YOUR SPEAKER, ADD PRESETS, PLAY INTERNET RADIO AND MUCH MORE.

001. DOWNLOAD THE GOOGLE HOME APP AND FOLLOW THE IN-APP INSTRUCTIONS TO SET UP YOUR SPEAKER.

002. DOWNLOAD THE MARSHALL MULTI-ROOM APP AND FOLLOW THE IN-APP INSTRUCTIONS TO CUSTOMISE YOUR SPEAKER.



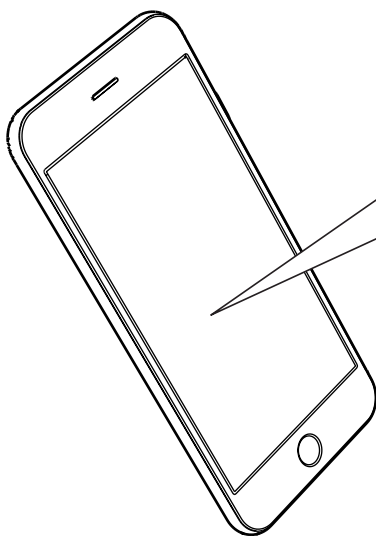
NOTE: AFTER THE SETUP, THE STANMORE MULTI-ROOM IS CONNECTED TO A Wi-Fi NETWORK. THE SPEAKER IS CONTROLLED FROM EITHER THE MARSHALL MULTI-ROOM APP, Spotify®, OTHER MUSIC APPS OR SIMPLY BY CLICKING AND TURNING THE KNOBS ON TOP OF THE SPEAKER.



DOWNLOAD ON THE
App Store



GET IT ON
Google Play



001. **GOOGLE HOME**

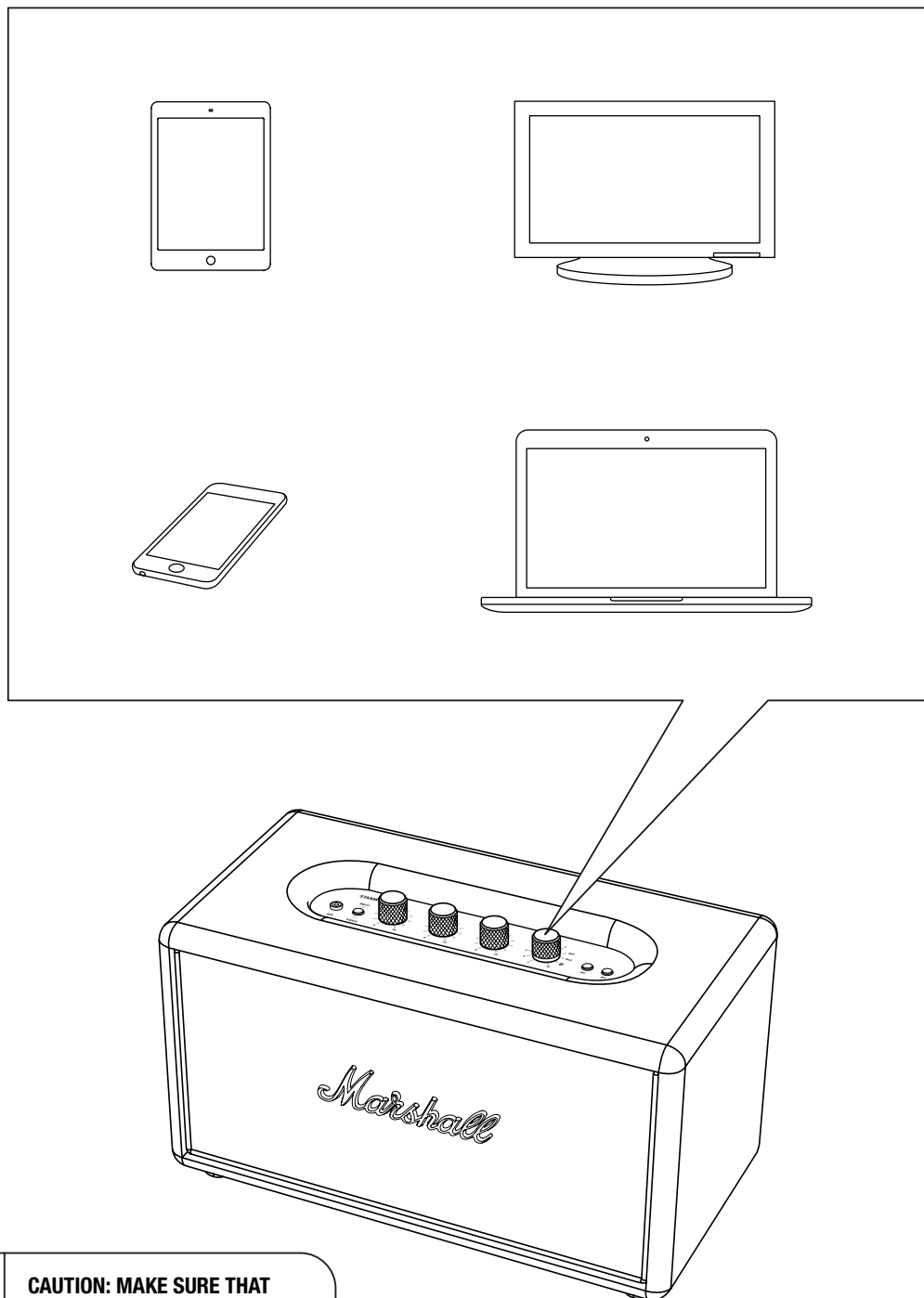
002. **MARSHALL MULTI-ROOM**



NOTE: UNTIL THE SPEAKER IS CONFIGURED FOR Wi-Fi, IT IS DISCOVERABLE AND READY TO BE SET UP FROM THE GOOGLE HOME APP.




MANY WAYS TO CONNECT

THERE ARE MANY WAYS TO CONNECT TO YOUR STANMORE MULTI-ROOM, WHETHER VIA YOUR PHONE, TV, TABLET OR TURNTABLE. THE CONNECTION CAN BE WIRELESS WITH Wi-Fi OR Bluetooth® OR BY USING A CABLE. THE **SOURCE** KNOB LETS YOU SELECT THE SOURCE.



CAUTION: MAKE SURE THAT THE VOLUME IS SET TO LOW ON BOTH THE SPEAKER AND THE MUSIC PLAYER BEFORE USING THE SPEAKER.

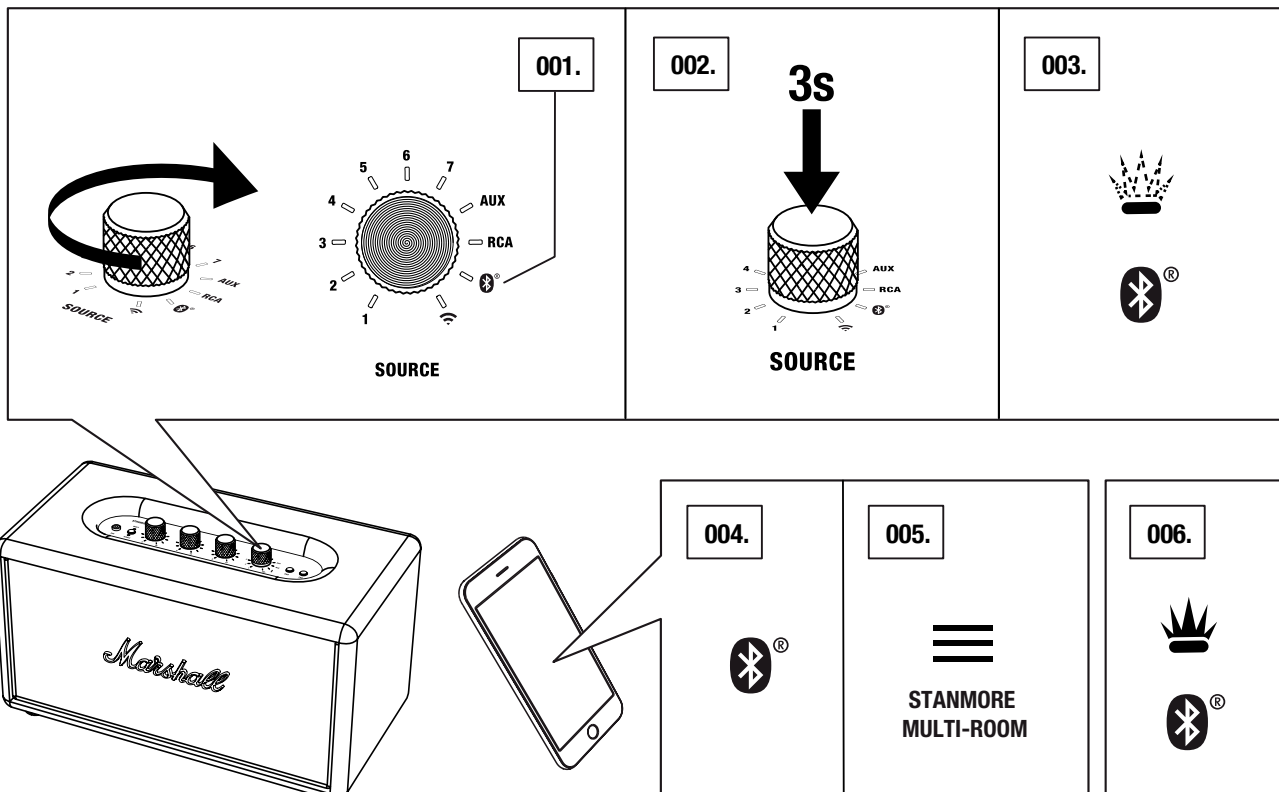
CONNECTING VIA Bluetooth® (PAIRING)

001. TURN THE **SOURCE** KNOB TO .
002. PUSH AND HOLD THE **SOURCE** KNOB FOR 3 SECONDS.
003. THE  INDICATOR STARTS TO BLINK.
004. ENABLE Bluetooth ON YOUR DEVICE (SMARTPHONE, TABLET, COMPUTER).
005. ON YOUR DEVICE, SELECT STANMORE MULTI-ROOM FROM THE Bluetooth LIST AND ACCEPT PAIRING.
006. THE  INDICATOR ON THE SPEAKER TURNS TO STEADY LIT AND THE UNITS ARE CONNECTED.

THE STANMORE MULTI-ROOM STORES UP TO EIGHT Bluetooth DEVICES AND TRIES TO CONNECT TO THE LAST CONNECTED DEVICE FIRST. FOR EXAMPLE, IF THE SPEAKER HAS BEEN CONNECTED TO THE DEVICES: **A-B-C-D-E-F-G-H**, DEVICE **H** IS GIVEN FIRST PRIORITY, WHILE DEVICE **A** IS GIVEN LAST PRIORITY. EVERY TIME  IS SELECTED, THE SPEAKER WILL DO AN AUTO CONNECTION OF DEVICES WITHIN ITS RANGE.



NOTE: IF THE BLUETOOTH DEVICE IS MOVED TOO FAR FROM THE STANMORE MULTI-ROOM, THE CONNECTION DROPS. MOVE THE DEVICE WITHIN APPROXIMATELY 10 METRES WITHOUT OBSTACLES TO THE SPEAKER AND THE CONNECTION IS AUTOMATICALLY RESTORED.

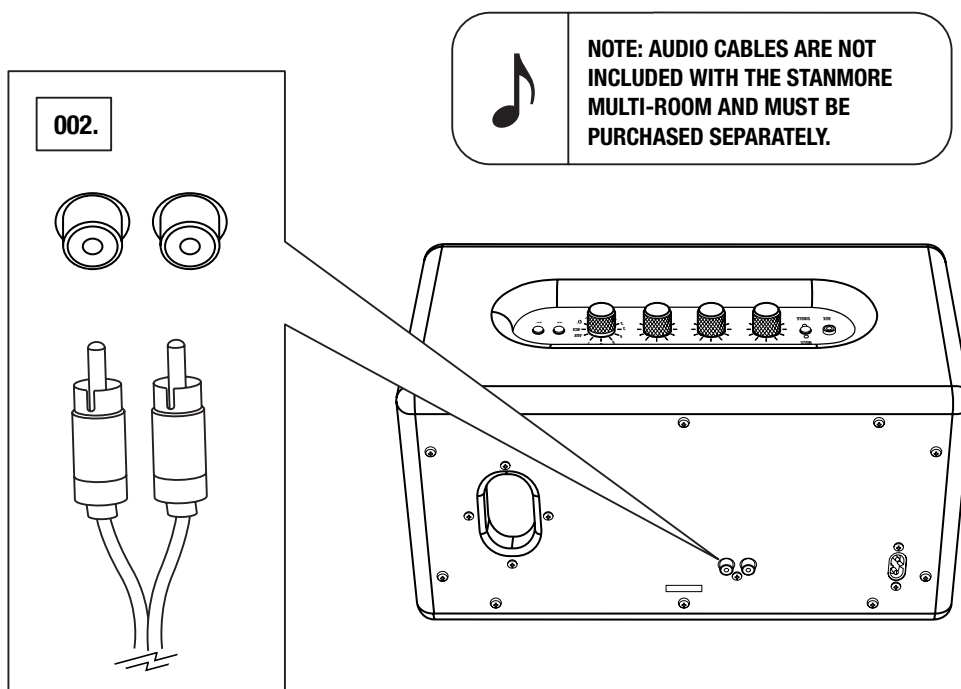
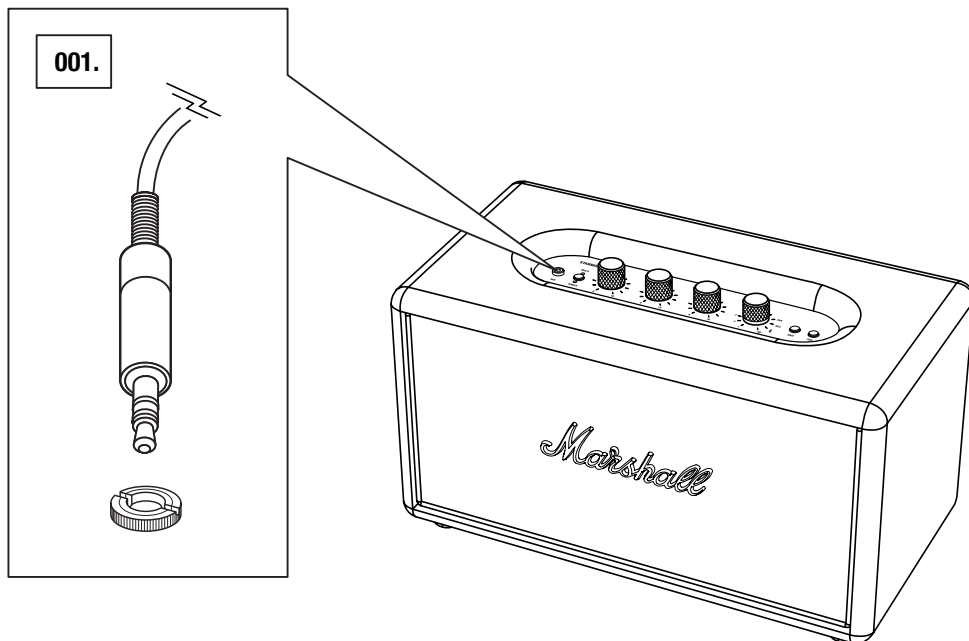


CONNECTING VIA AUX OR RCA

CHOOSE ONE OF THE TWO AUDIO INPUTS AVAILABLE:

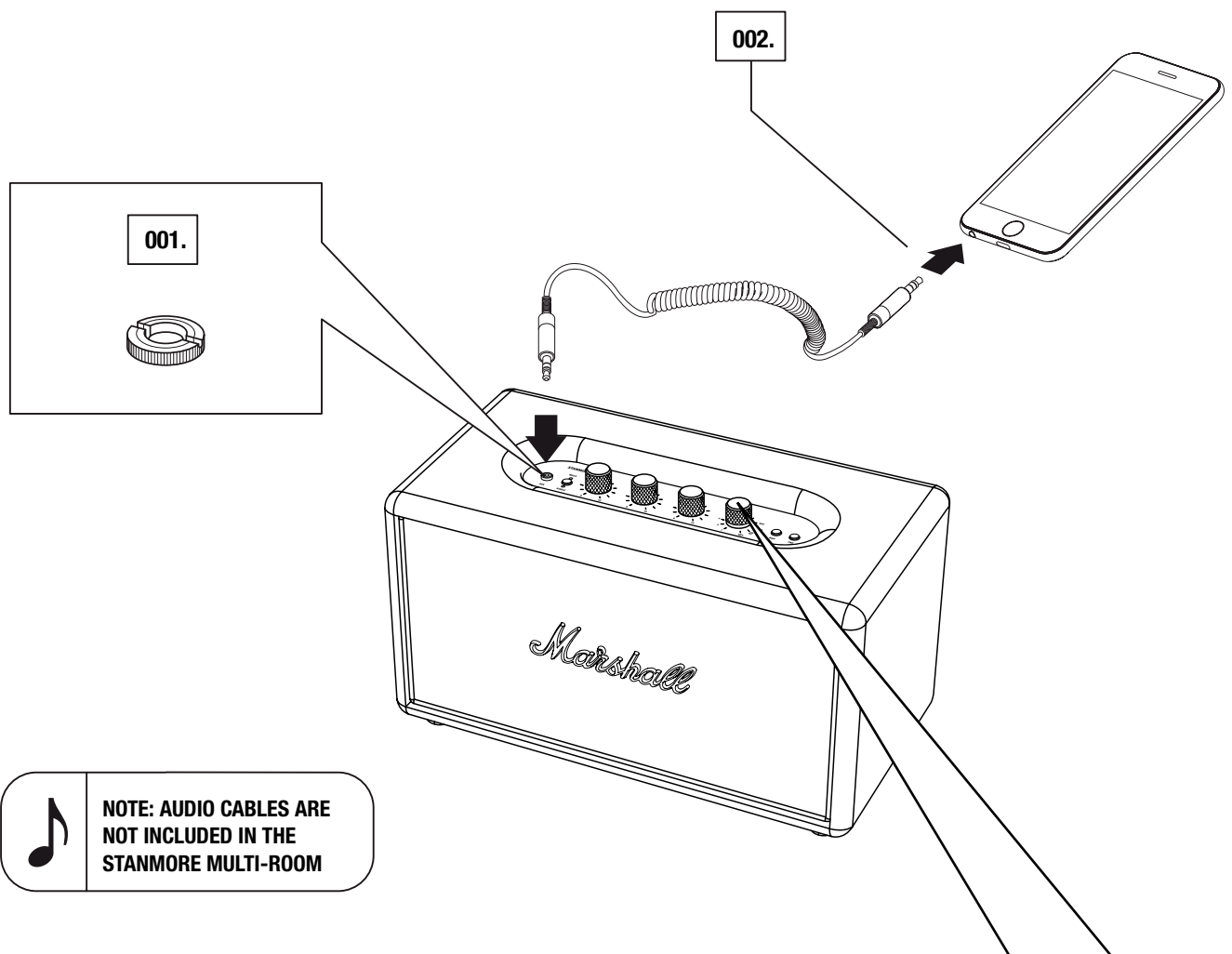
001. AUX - 3.5 mm STEREO PLUG. USE A CORD WITH A 3.5 mm PLUG TO CONNECT TO EXTERNAL AUDIO SOURCES.


002. RCA - RCA ANALOGUE INPUT. USE THE RCA ANALOGUE INPUT TO CONNECT TO YOUR CD PLAYER OR A TURNTABLE WITH A RIAA AMPLIFIER.

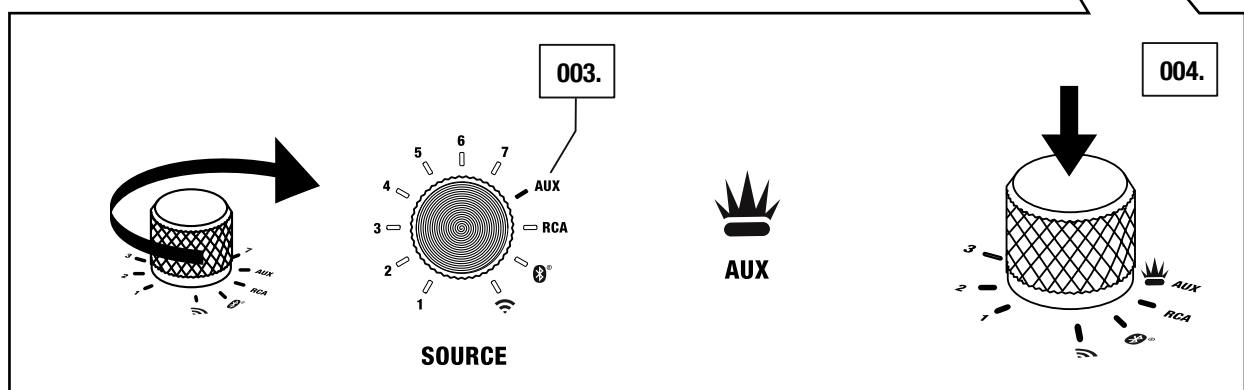


AUX INPUT - 3.5 mm STEREO PLUG

001. CONNECT 3.5 mm STEREO PLUG TO THE INPUT LABELLED AUX ON THE SPEAKER.
002. CONNECT THE OTHER END OF THE CORD TO THE AUDIO OUTPUT ON YOUR MUSIC PLAYER.
003. TURN THE **SOURCE** KNOB TO AUX AND PUSH ONCE.

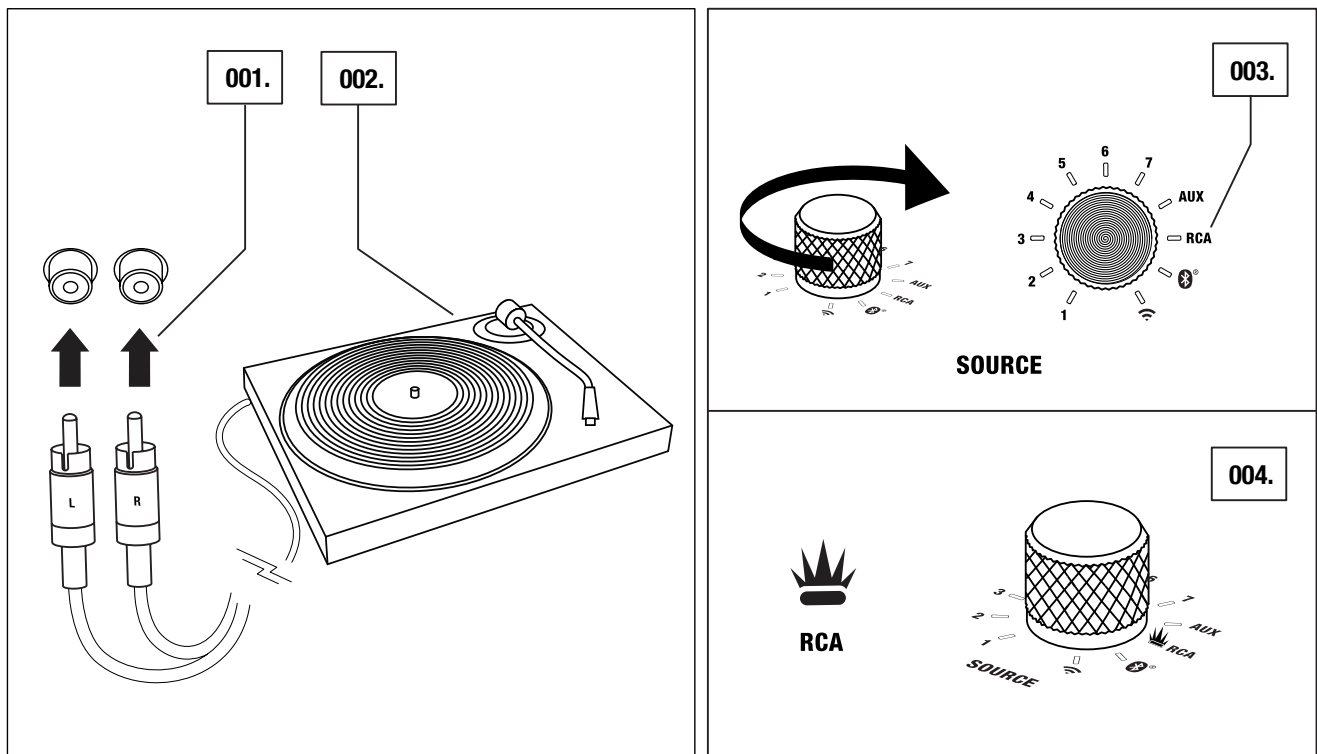


 NOTE: AUDIO CABLES ARE NOT INCLUDED IN THE STANMORE MULTI-ROOM

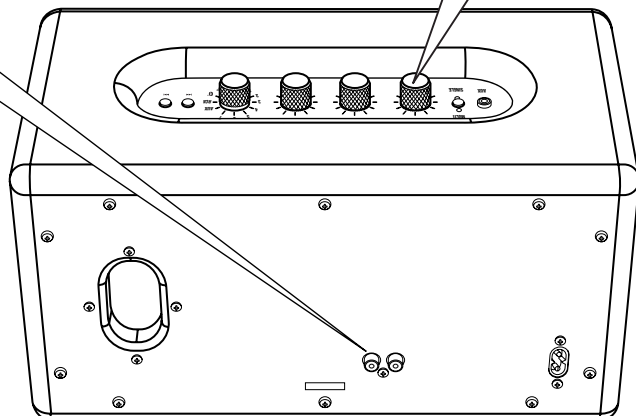


RCA INPUT - RCA PORTS

001. CONNECT A CORD WITH RCA PLUGS TO THE RCA INPUTS (LEFT AND RIGHT) ON THE BACK OF THE SPEAKER.
002. CONNECT THE OTHER END OF THE CORD TO THE OUTPUT ON YOUR SOUND SOURCE.
003. TURN THE **SOURCE** KNOB TO RCA AND PUSH ONCE.



NOTE: TURNTABLE MUST HAVE A BUILT IN RIAA PREAMPLIFIER, OTHERWISE A SEPARATE PREAMPLIFIER IS NEEDED.





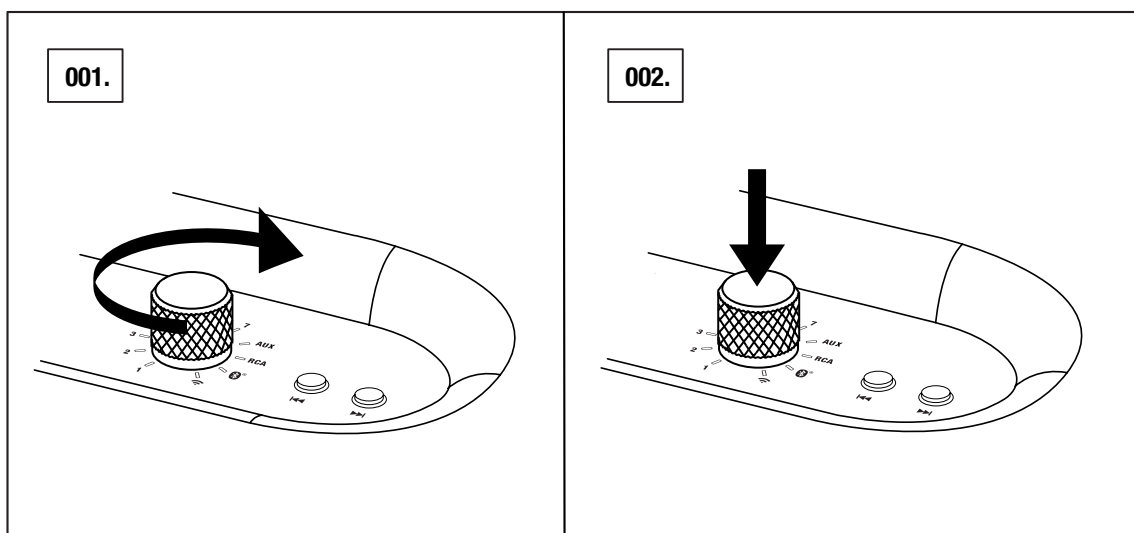
SELECTING THE SOUND SOURCE

SELECT SOUND SOURCE AND PREVIOUSLY STORED Wi-Fi STREAMING PRESETS BY TURNING THE **SOURCE** KNOB.

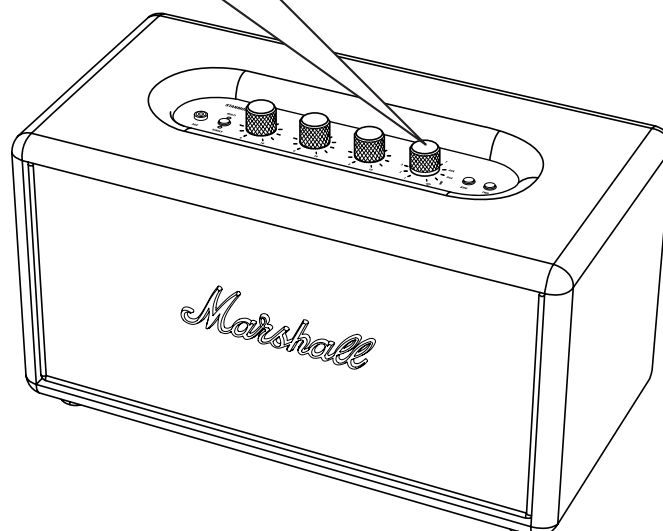
001. TURN THE **SOURCE** KNOB TO THE POSITION OF THE SOURCE.

002. PUSH THE **SOURCE** KNOB TO SELECT THE SOURCE:

- 1-7 – Wi-Fi STREAMING VIA PRESET 1-7
- AUX – 3.5 mm STEREO PLUG
- RCA – RCA INPUT ON THE BACK OF THE SPEAKER
-  – Bluetooth DEVICE
-  – Wi-Fi STREAMING, Spotify Connect® OR INTERNET RADIO



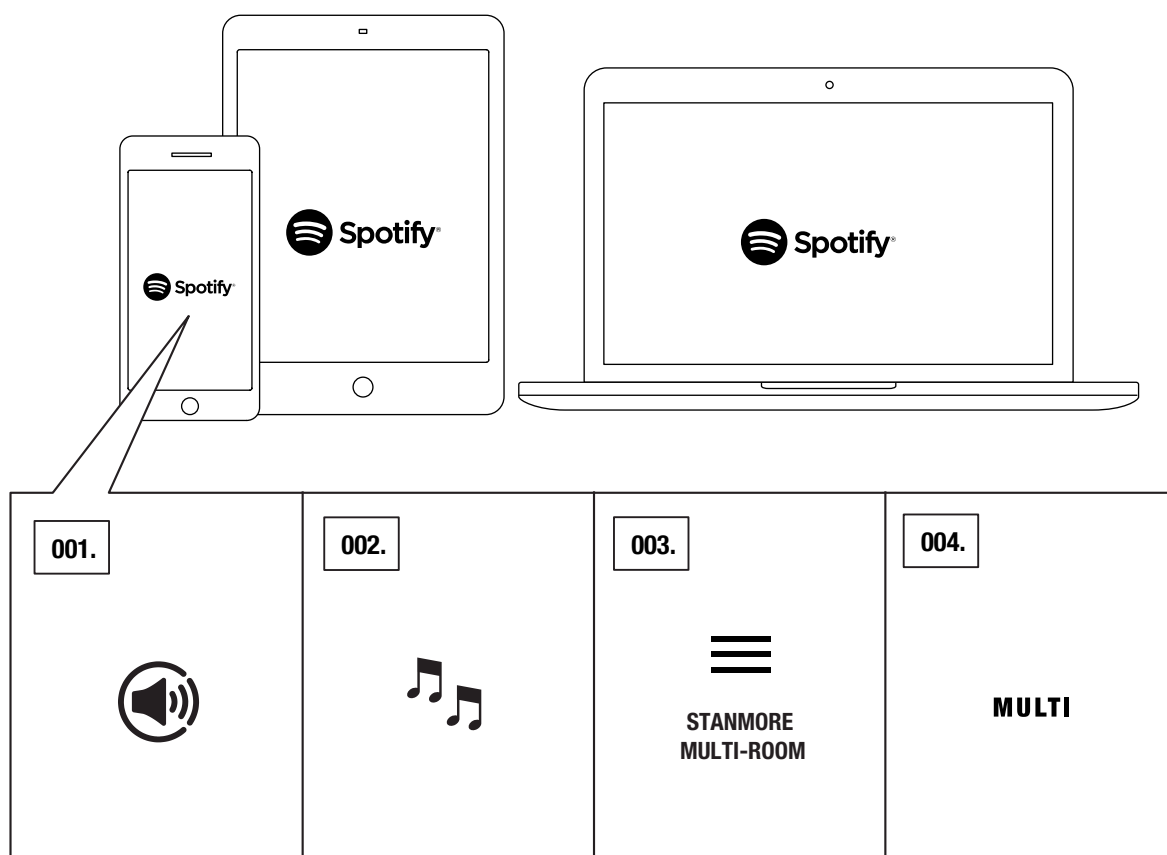
NOTE: IF THE SELECTED PRESET (1-7) IS EMPTY, THE SPEAKER STAYS IN ITS CURRENT MODE.



Wi-Fi® STREAMING WITH SPOTIFY®

Spotify Connect® LETS YOU CONTROL YOUR SPEAKER FROM INSIDE THE Spotify APP.

- 001. FIRE UP THE Spotify APP ON YOUR PHONE, TABLET OR PC USING THE SAME Wi-Fi NETWORK AS YOUR MULTI-ROOM SPEAKER.**
- 002. PLAY A SONG ON Spotify AND HIT 'DEVICES AVAILABLE' IN THE Spotify APP.**
- 003. SELECT YOUR MULTI-ROOM SPEAKER IN THE Spotify APP AND YOUR MUSIC WILL START PLAYING OUT LOUD.**
- 004. TO STREAM AUDIO IN MULTI MODE, PUSH THE **SINGLE/MULTI MODE** BUTTON ON THE SPEAKER OR SET THE SPEAKER TO MULTI IN THE MARSHALL MULTI-ROOM APP. INSTEAD OF SELECTING THE SPEAKER IN THE Spotify APP, SELECT THE GROUP MULTI.**

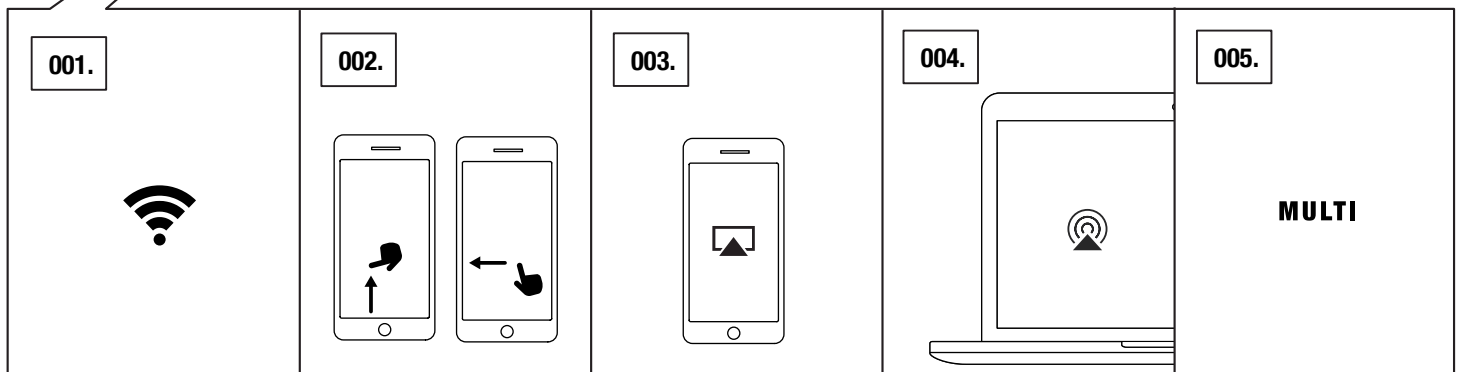
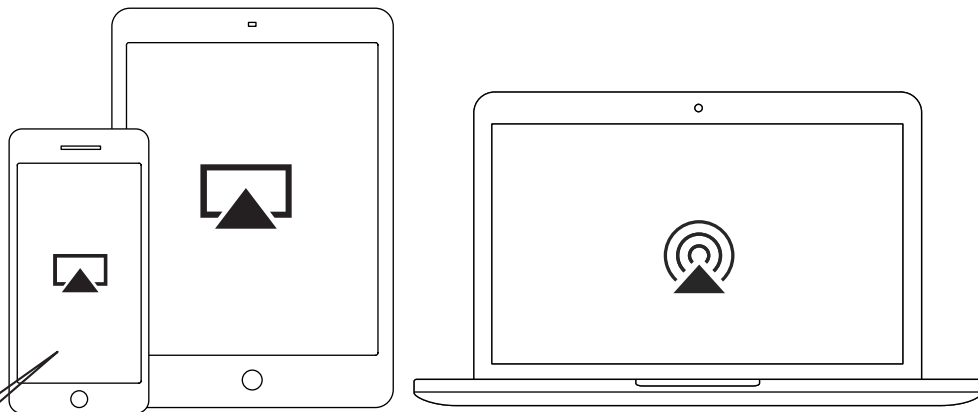


NOTE: YOU NEED A Spotify Premium® ACCOUNT TO USE Spotify Connect.

Wi-Fi STREAMING FROM AirPlay

AirPlay LETS YOU STREAM ANY SOUND SOURCE FROM YOUR iOS DEVICE OR APPLE COMPUTER TO YOUR SPEAKER.

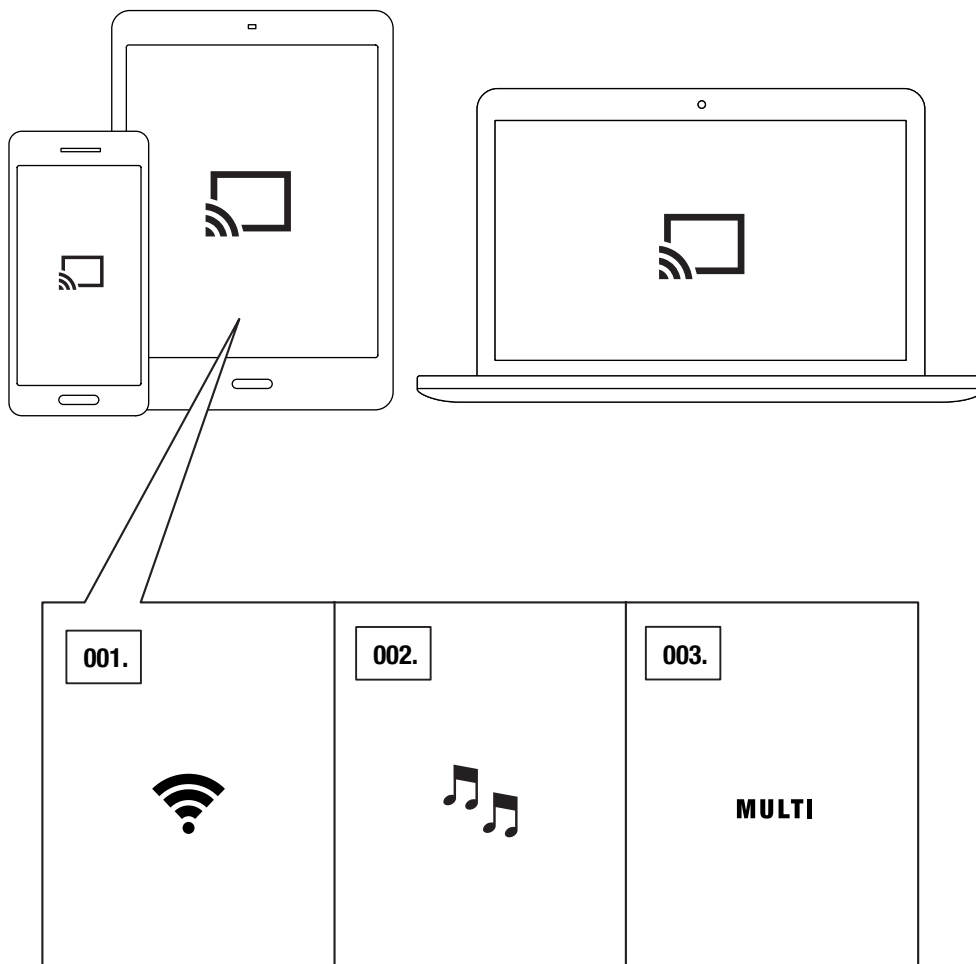
- 001. CONNECT YOUR iOS DEVICE OR APPLE COMPUTER TO THE SAME Wi-Fi NETWORK AS YOUR MULTI-ROOM SPEAKER.**
- 002. ON YOUR iOS DEVICE, SWIPE UP FROM THE BOTTOM OF THE SCREEN TO OPEN THE CONTROL CENTER AND SWIPE HORIZONTALLY TO FIND THE NOW PLAYING SCREEN.**
- 003. TAP THE AirPlay ICON TO FIND THE LIST OF AVAILABLE AirPlay DEVICES, SELECT YOUR MULTI-ROOM SPEAKER.**
- 004. TO STREAM AUDIO FROM YOUR APPLE COMPUTER, OPEN iTUNES. TAP THE AirPlay ICON ON THE VOLUME SLIDER. SELECT YOUR MULTI-ROOM SPEAKER.**
- 005. TO STREAM AUDIO IN MULTI MODE, PUSH THE **SINGLE/MULTI MODE** BUTTON ON THE SPEAKER OR SET THE SPEAKER TO MULTI IN THE APP. OPEN THE LIST OF AVAILABLE AirPlay DEVICES AND SELECT THE GROUP MULTI.**



Wi-Fi STREAMING FROM Chromecast built-in

Chromecast built-in IS A PLATFORM THAT LETS YOU STREAM YOUR FAVOURITE MUSIC FROM YOUR SMARTPHONE, TABLET OR COMPUTER RIGHT TO YOUR SPEAKER. Chromecast built-in IS AVAILABLE IN MOST MUSIC APPS ON THE MARKET.

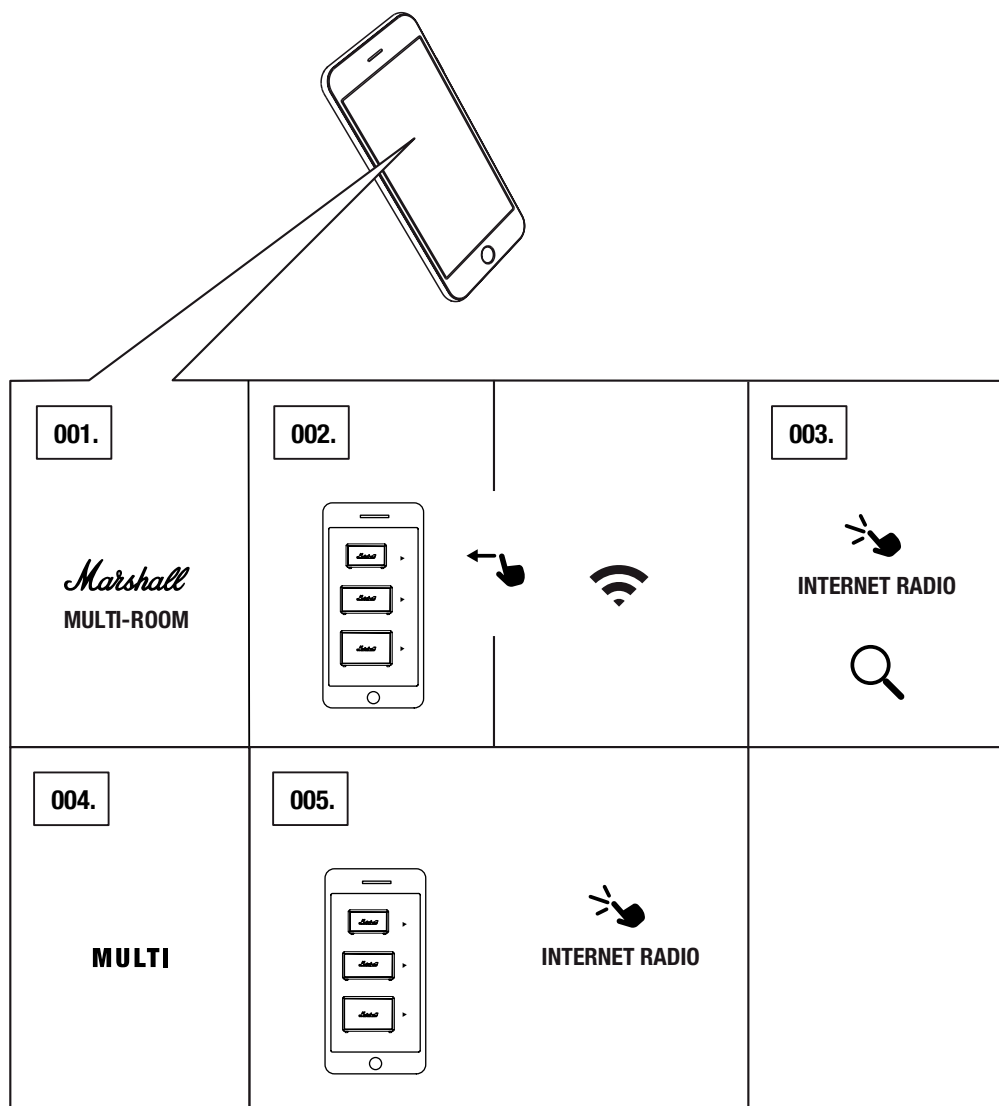
- 001. CONNECT YOUR DEVICE TO THE SAME Wi-Fi NETWORK AS YOUR MULTI-ROOM SPEAKER.**
- 002. PLAY MUSIC IN YOUR FAVOURITE MUSIC APP.**
- 003. TAP THE Chromecast built-in ICON IN YOUR MUSIC APP AND SELECT YOUR MULTI-ROOM SPEAKER.**



Wi-Fi STREAMING FROM INTERNET RADIO

YOUR SPEAKER HAS AN EMBEDDED INTERNET RADIO SERVICE THAT GIVES YOU ACCESS TO THOUSANDS OF RADIO STATIONS AROUND THE WORLD.

- 001. OPEN THE MARSHALL MULTI-ROOM APP.**
- 002. TAP THE MULTI-ROOM SPEAKER AND SWIPE TO Wi-Fi IN THE MENU.**
- 003. TAP INTERNET RADIO AND SELECT OR SEARCH FOR AN INTERNET RADIO STATION TO PLAY.**
- 004. TO STREAM RADIO IN MULTI MODE, PUSH THE **SINGLE/MULTI MODE** BUTTON ON THE SPEAKER OR SET THE SPEAKER TO MULTI IN THE MARSHALL MULTI-ROOM APP.**
- 005. IN THE APP, SELECT ONE OF THE SPEAKERS IN THE MULTI MODE GROUP AND SELECT AN INTERNET RADIO STATION TO STREAM.**

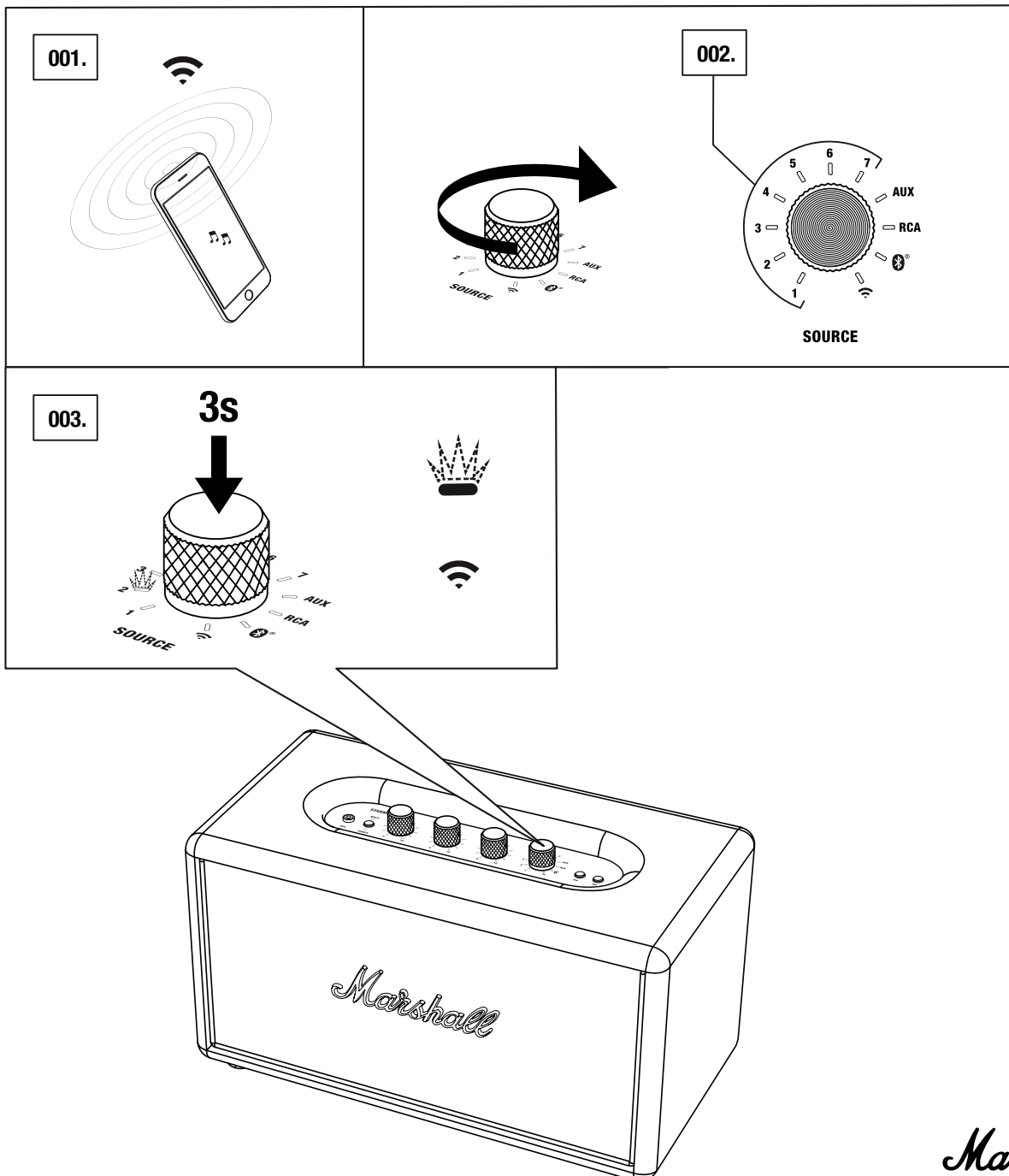


STORING PRESETS

THE STANMORE MULTI-ROOM CAN HOLD UP TO 7 PRESETS FOR INSTANT MUSIC STREAMING VIA Wi-Fi.

001. PLAY THE Spotify PLAYLIST OR INTERNET RADIO CHANNEL THAT YOU WANT TO STORE.
002. TURN THE **SOURCE** KNOB TO SELECT THE POSITION (1-7) WHERE YOU WANT TO STORE THE PRESET.
003. PUSH THE **SOURCE** KNOB FOR MORE THAN 3 SECONDS TO STORE THE PRESET. PREVIOUSLY STORED PRESETS ARE OVERWRITTEN.

PRESETS CAN ALSO BE MANAGED IN THE MARSHALL MULTI-ROOM APP.



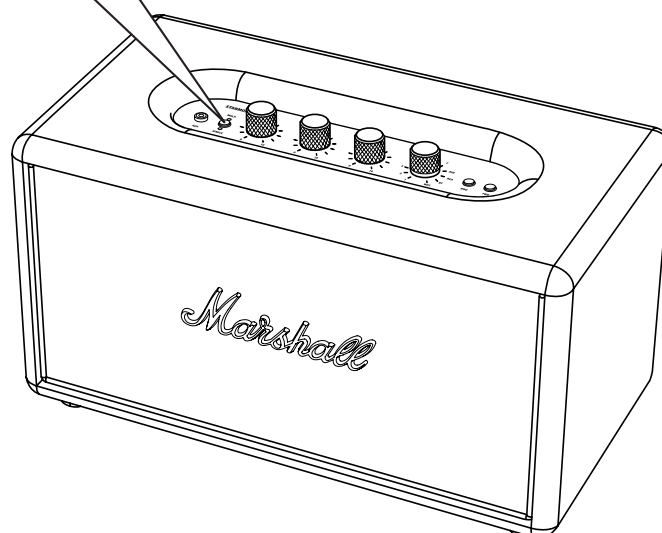
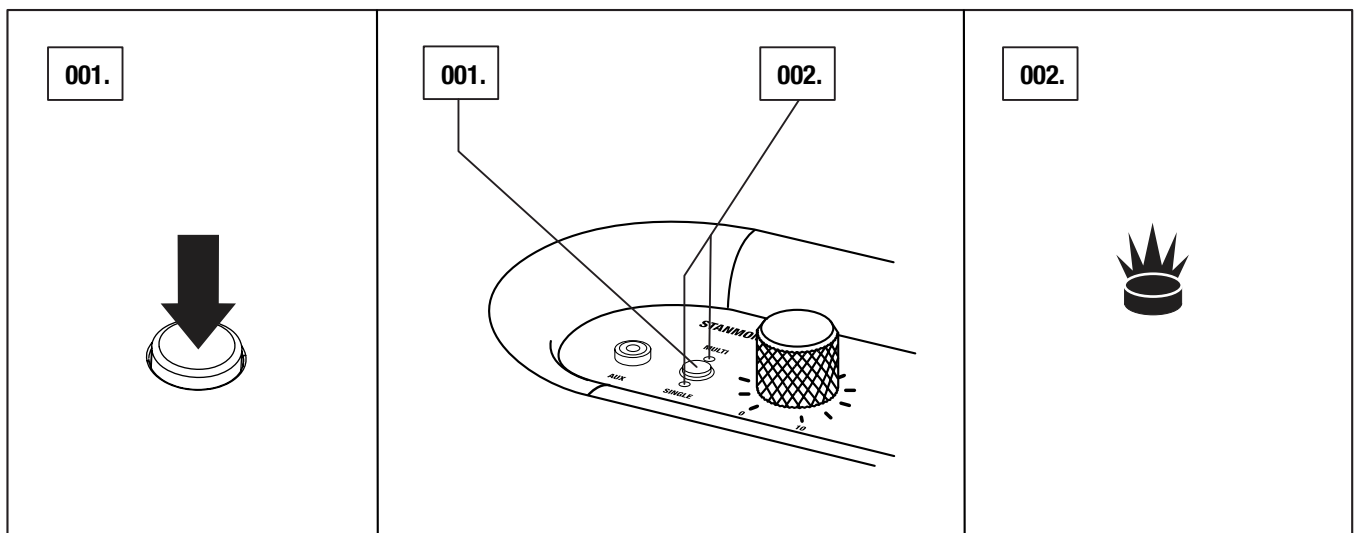
SINGLE MODE OR MULTI MODE

UP TO 5 MARSHALL WIRELESS MULTI-ROOM SPEAKERS CAN BE SETUP ON THE SAME Wi-Fi NETWORK TO FORM A MULTI-ROOM SYSTEM.

SINGLE MODE MEANS STREAMING AUDIO INDIVIDUALLY ON EACH SPEAKER. MULTI MODE MEANS STREAMING THE SAME AUDIO ON ALL SPEAKERS IN MULTI MODE.

001. TOGGLE BETWEEN SINGLE AND MULTI MODE BY PUSHING THE **SINGLE/MULTI MODE** BUTTON ON TOP OF THE SPEAKER.

002. A LIT **SINGLE** OR **MULTI** INDICATOR SHOWS WHAT MODE THE SPEAKER IS IN.



023.

Marshall

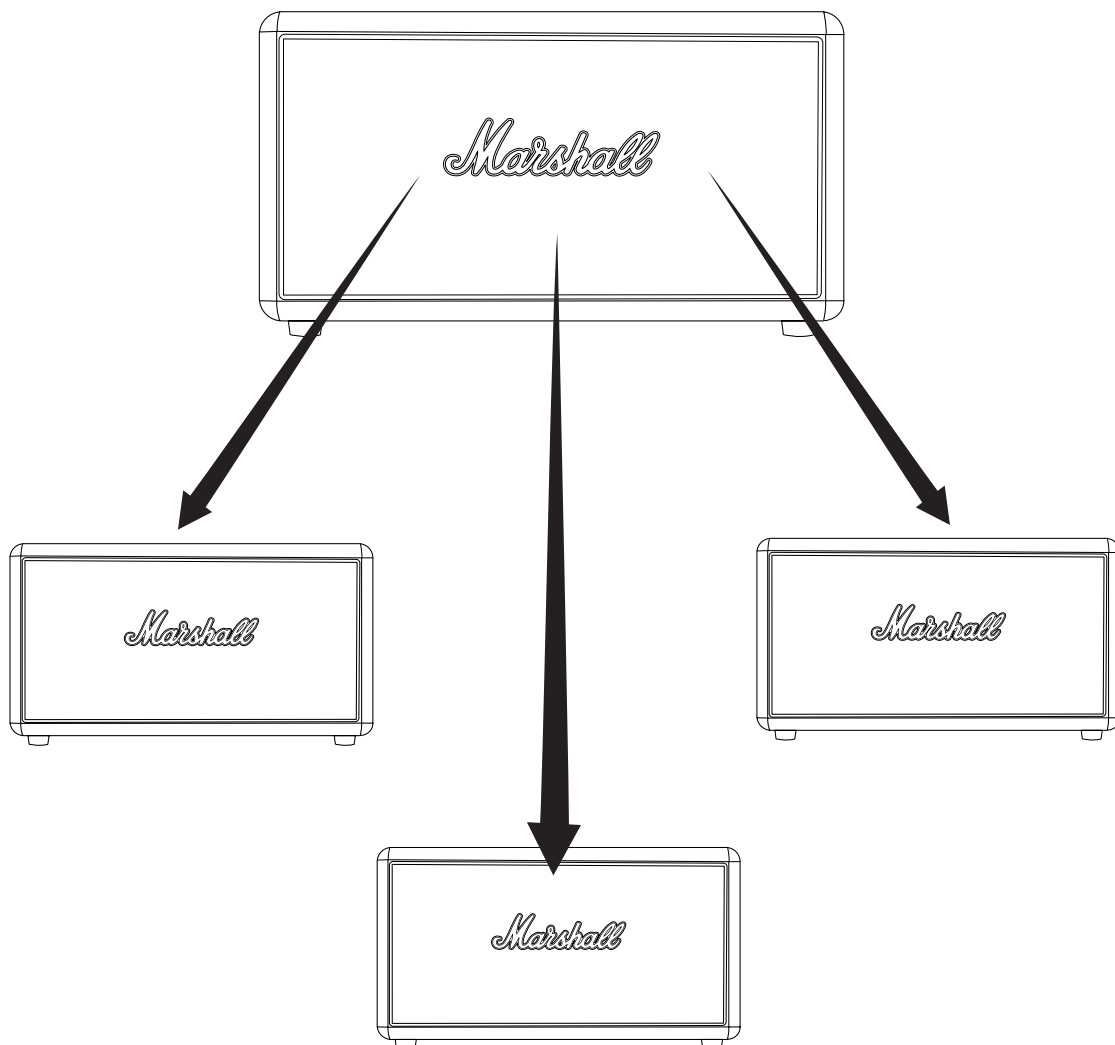
MULTI MODE

ONE SPEAKER ACTS AS THE SERVER AND DISTRIBUTES AUDIO TO THE OTHER SPEAKERS IN MULTI MODE. IF THE SERVER SPEAKER LEAVES THE MULTI MODE GROUP, THE AUDIO STOPS PLAYING.

SINGLE MODE AND MULTI MODE CAN ALSO BE MANAGED IN THE MARSHALL MULTI-ROOM APP.



NOTE: TO USE AUX OR RCA WITH MULTI MODE, CONNECT ONE SPEAKER TO THE SOUND SOURCE WITH A CABLE AND SET THE SOURCE KNOB TO EITHER AUX OR RCA. SET THE OTHER SPEAKERS TO MULTI MODE. TO USE Bluetooth WITH MULTI MODE CONNECT ONE SPEAKER TO Bluetooth AND THE OTHER SPEAKERS TO MULTI MODE.

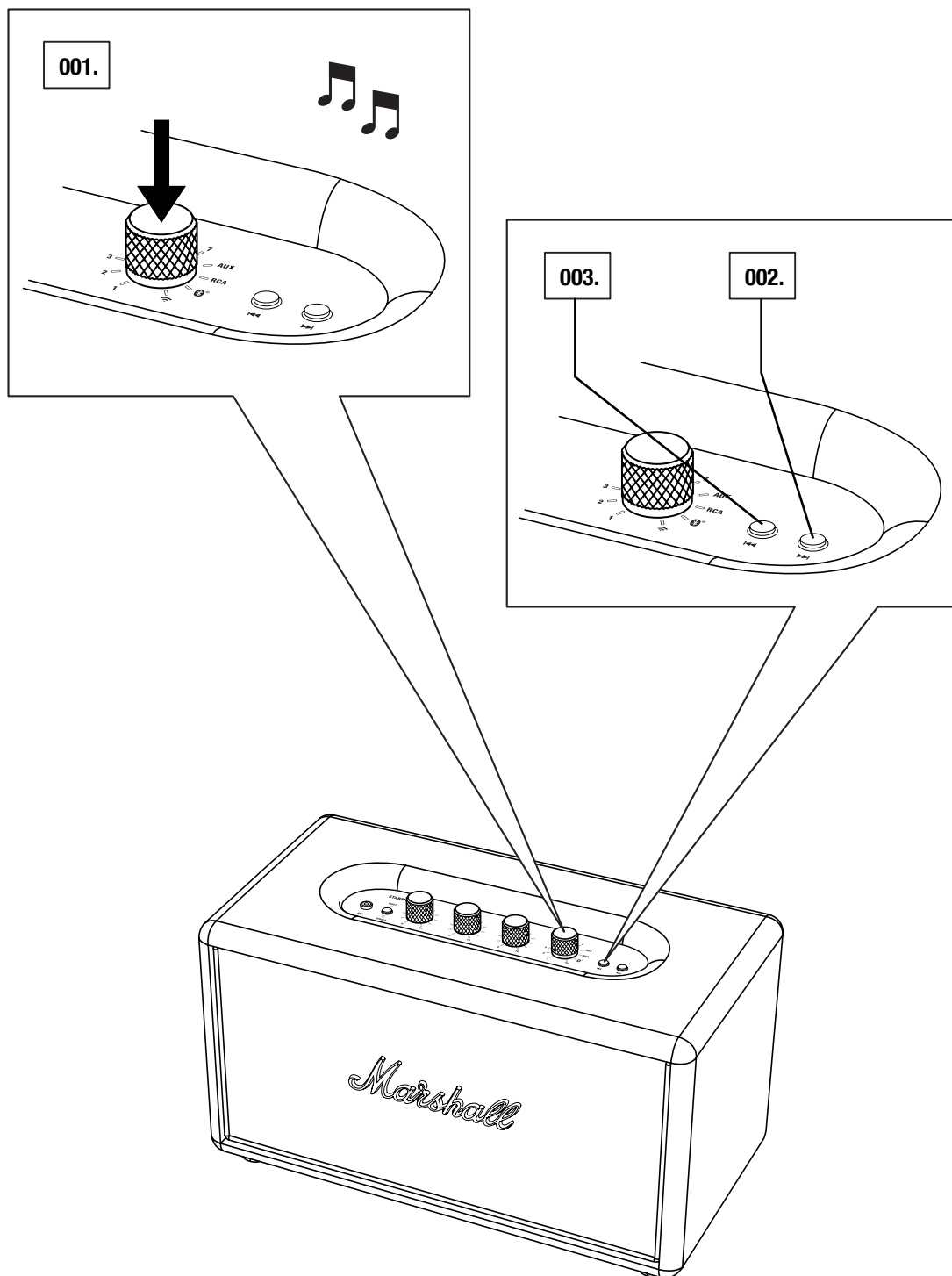


PLAY, PAUSE, NEXT AND PREVIOUS SONG

001. PUSH THE **SOURCE** KNOB ONCE TO PAUSE OR PLAY MUSIC.

002. PUSH ►► TO SKIP TO THE NEXT SONG.

003. PUSH ◀◀ TO SKIP TO THE PREVIOUS SONG.



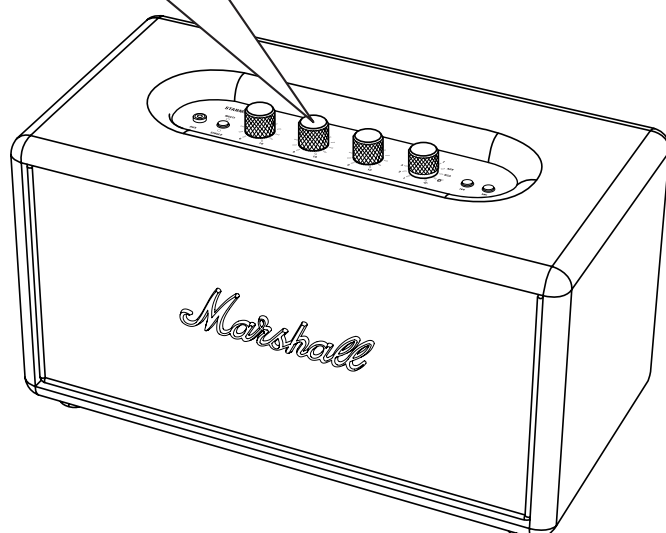
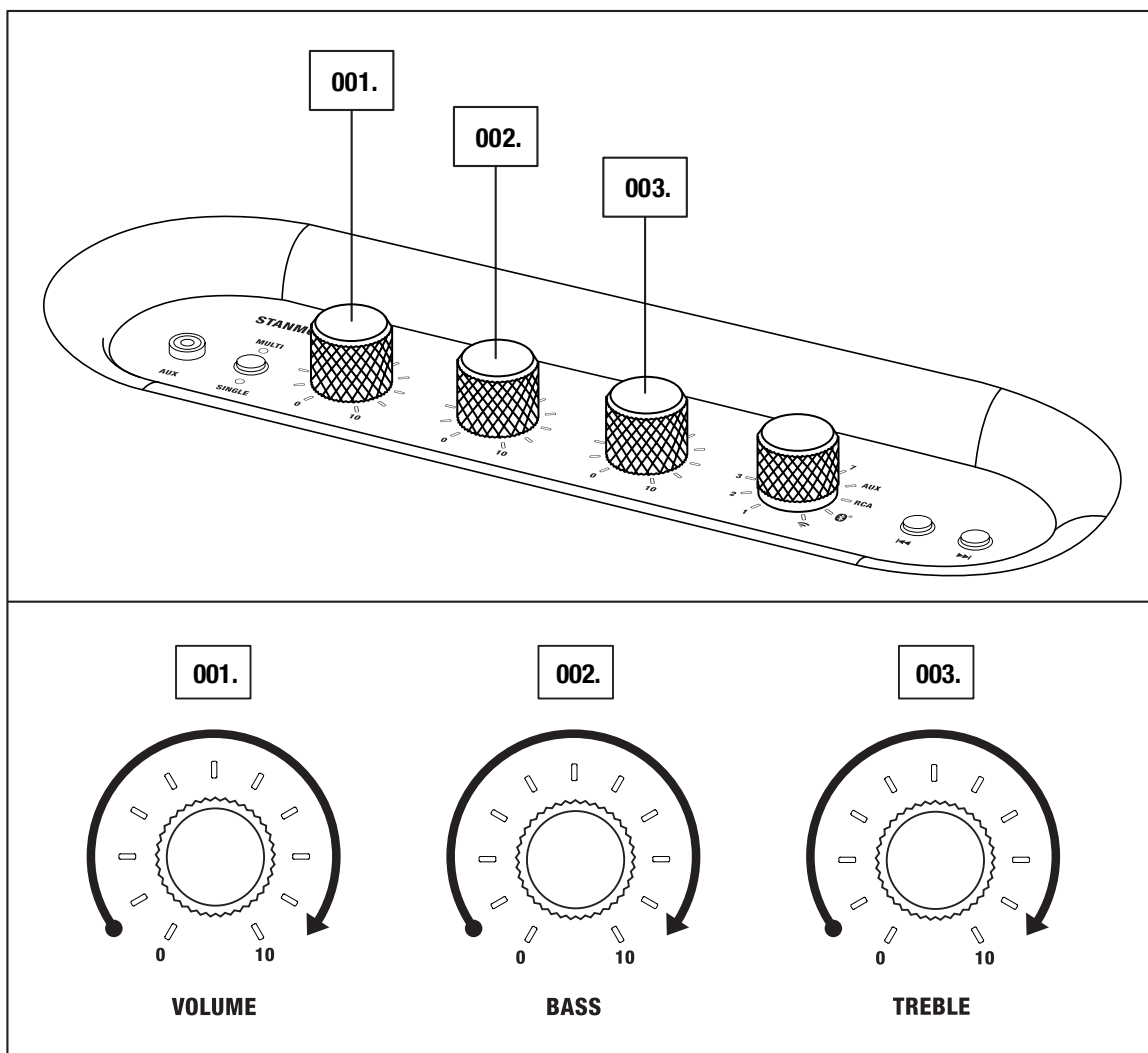
ADJUSTING THE VOLUME/BASS/TREBLE

THE STANMORE MULTI-ROOM HAS THREE KNOBS FOR ADJUSTING THE SOUND ON THE INDIVIDUAL SPEAKER. THE KNOB VALUE IS SHOWN BY A LIT INDICATOR:

001. VOLUME KNOB

002. BASS KNOB

003. TREBLE KNOB

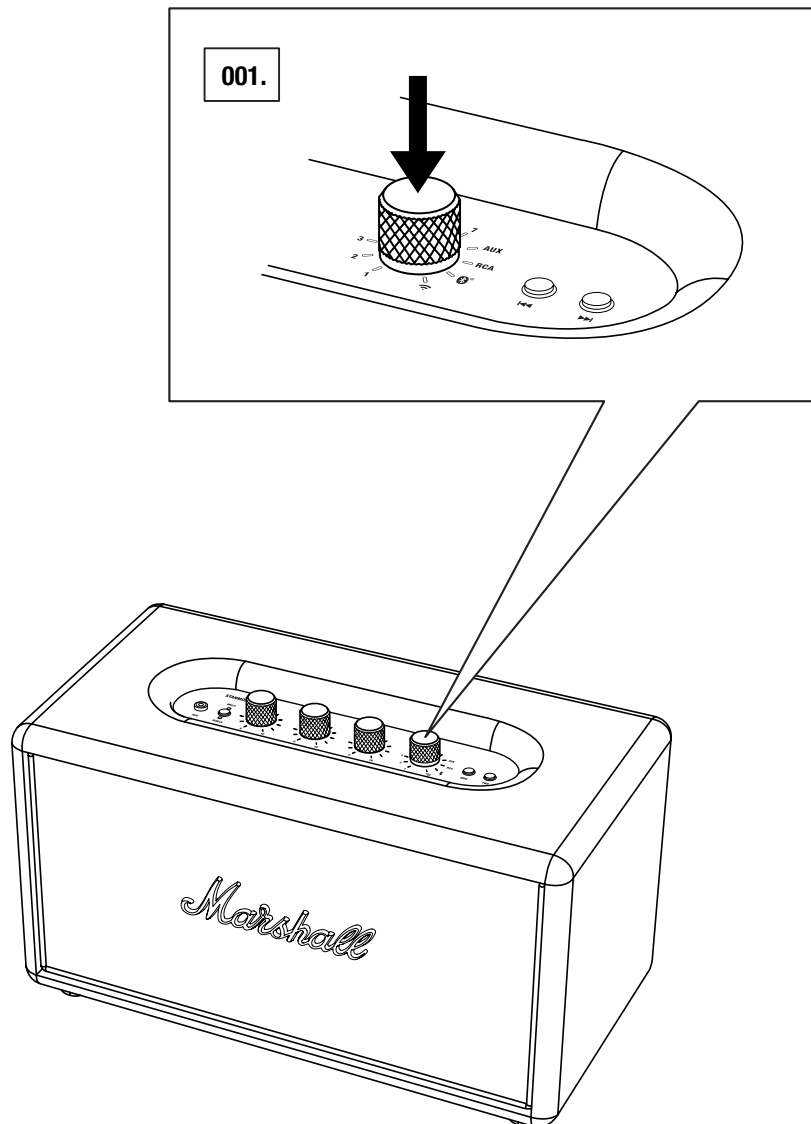


NOTE: THE SOUND CAN ALSO BE ADJUSTED FROM THE MARSHALL MULTI-ROOM APP.

STANDBY MODE

THE SPEAKER GOES INTO STANDBY MODE IF NO AUDIO HAS BEEN PLAYED FOR 20 MINUTES. THE SPEAKER IS STILL CONNECTED TO THE NETWORK.

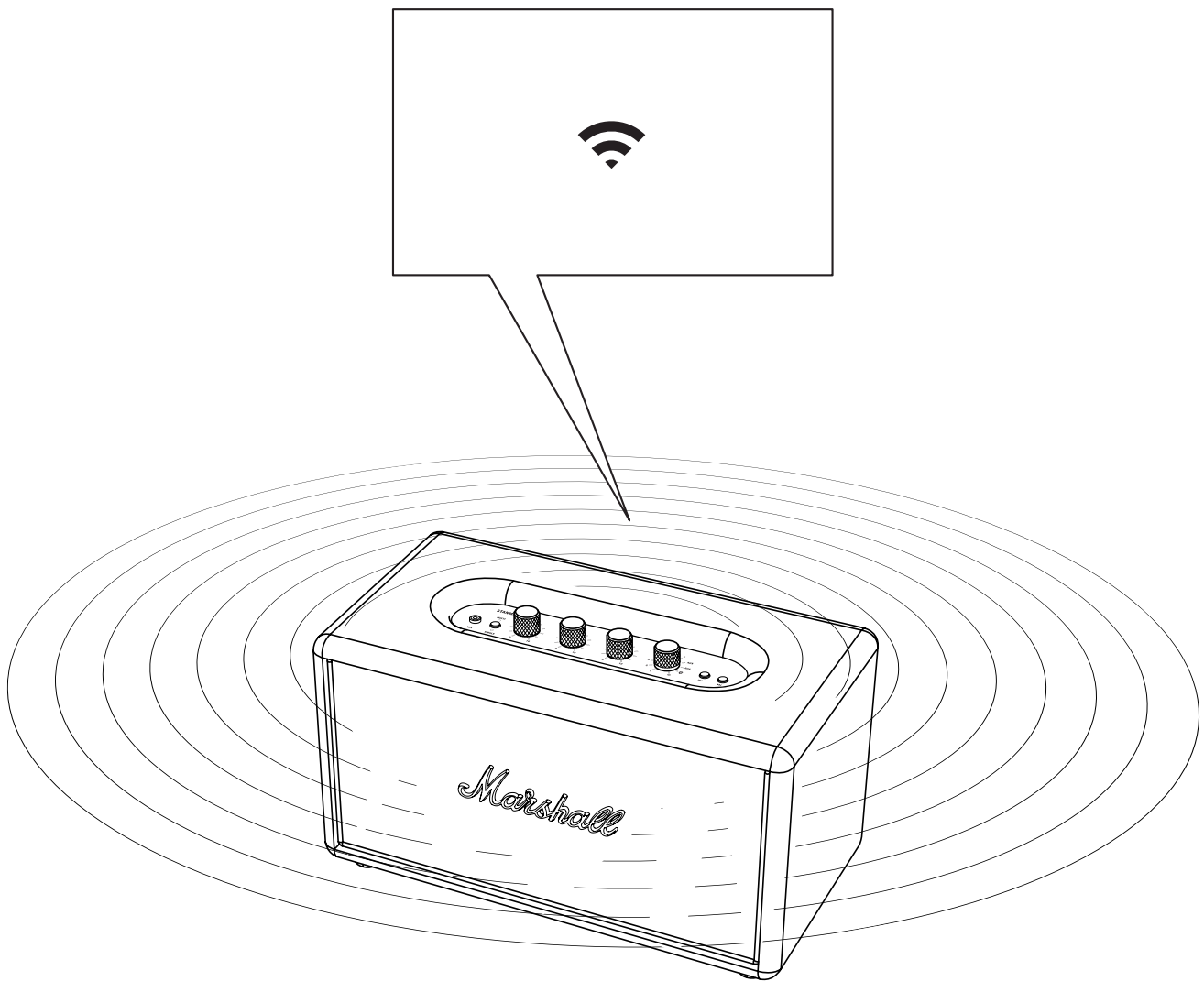
001. PUSH **SOURCE** KNOB TO WAKE THE SPEAKER.



SPEAKER SOFTWARE UPDATE

THE STANMORE MULTI-ROOM SPEAKER IS AUTOMATICALLY UPGRADED TO THE LATEST SOFTWARE RELEASE AS LONG AS THE SPEAKER IS CONNECTED TO Wi-Fi.

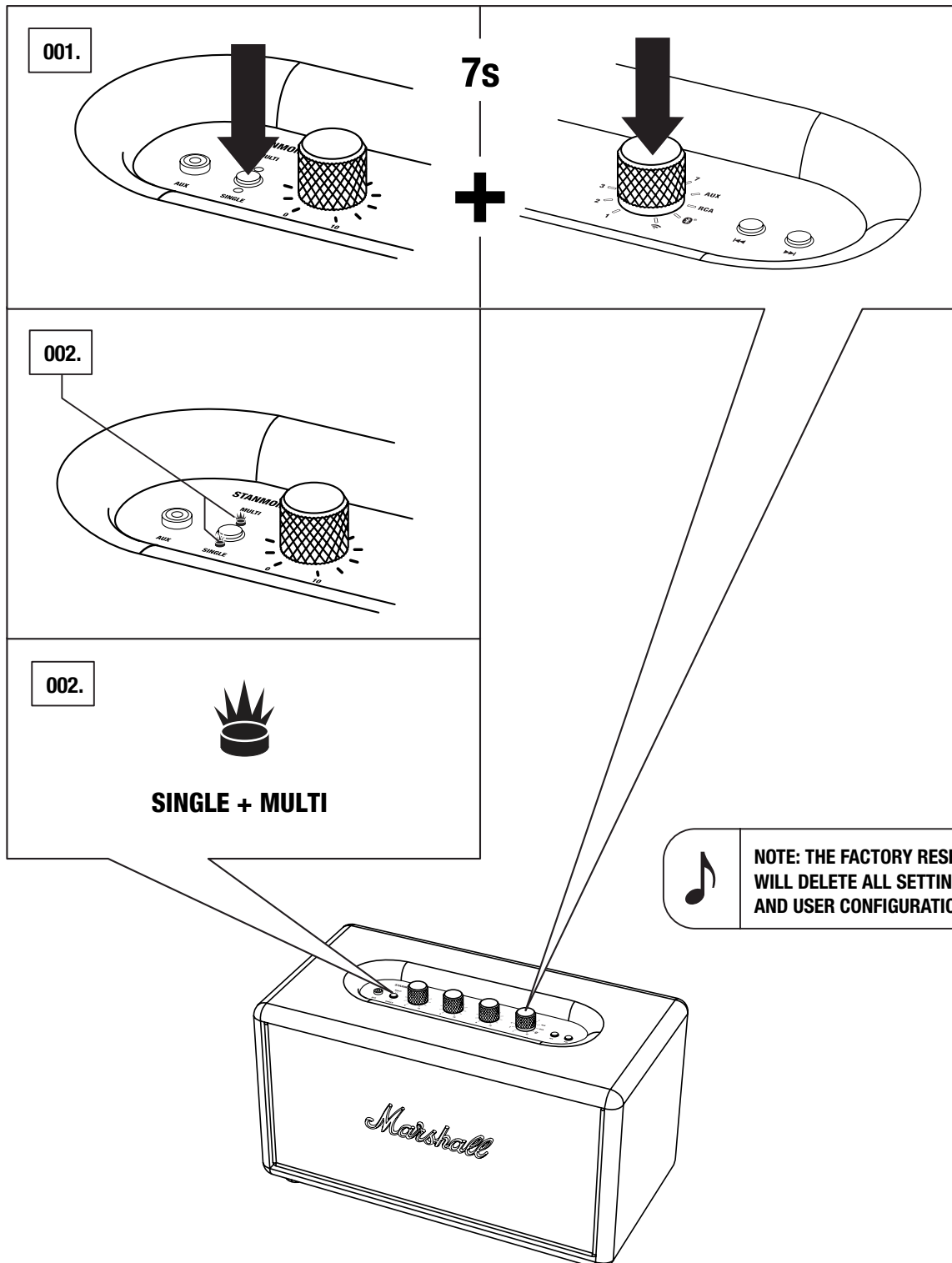
THIS IS DONE IN THE BACKGROUND AND REQUIRES NO MANUAL WORK.



FACTORY RESET

TO RESET THE SPEAKER TO ITS FACTORY STATE:

001. PUSH AND HOLD THE **SINGLE/MULTI MODE** BUTTON AND THE **SOURCE** KNOB FOR 7 SECONDS UNTIL BOTH THE SINGLE AND MULTI MODE INDICATORS ARE LIT.
002. THE SPEAKER IS RESET TO ITS FACTORY STATE, RESTORED TO SETUP MODE AND IS READY TO BE CONFIGURED.



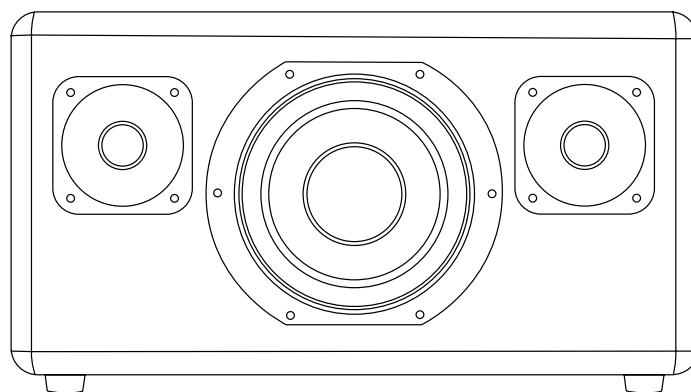
TECHNICAL INFORMATION

SOUND SPECIFICATION

- **ACTIVE STEREO LOUDSPEAKER WITH BASS REFLEX SYSTEM**
- **DIGITAL CLASS D AMPLIFIER: 2 X 15 W + 1 X 45 W**
- **¾" DOME TWEETERS: 2X**
- **5¼" WOOFER: 1X**
- **BASS AND TREBLE TONE CONTROLS**
- **FREQUENCY RESPONSE: 50 – 20,000 Hz ±6 dB**
- **CONNECTIVITY:**
 - **Wi-Fi:** 802.11A/B/G/N/
 - **Bluetooth:** STANDARD V4.2 EDR A2DP
 - **INPUT 1:** AUX 3.5 mm
 - **INPUT 2:** RCA (LEFT AND RIGHT)
- **CONTINUOUS POWER OUTPUT: 75 W RMS**

TECHNICAL INFORMATION

- **MAINS INPUT VOLTAGE:** 100 – 240 V~ /200 W
- **ABSOLUTE MIN/MAX:** 90 – 264 V~
- **MAINS FREQUENCY:** 50 – 60 Hz
- **MAX PEAK POWER CONSUMPTION:** 90 W
- **NETWORK STANDBY POWER CONSUMPTION:** 1.6 W
- **WEIGHT:** 5.00 kg
- **SIZE:** 350 X 195 X 190 mm



NOTE: THE FRONT IS NOT REMOVABLE. THIS ILLUSTRATION INTENDS TO SHOW THE INTERNAL SPEAKER LAYOUT. DO NOT ATTEMPT TO REMOVE THE FRONT FRET FOR RISK OF DAMAGING YOUR MULTI-ROOM SPEAKER.

TROUBLESHOOTING

PROBLEM	CAUSE	ACTION
THE STANMORE MULTI-ROOM DOES NOT TURN ON.	The speaker is not connected to AC mains.	Connect the power cord to the Stanmore Multi-Room and a working AC wall socket.
THE STANMORE MULTI-ROOM CANNOT BE DISCOVERED IN THE MARSHALL MULTI-ROOM APP	The speaker is not connected to the Wi-Fi network.	Turn the SOURCE knob to Wi-Fi and push and hold for 3 seconds to make the speaker discoverable.
	The speaker and the mobile device are not connected to the same Wi-Fi network.	Connect to the same Wi-Fi network.
	The speaker is not turned on.	Connect the power cord to the Stanmore Multi-Room and a working AC wall socket.
	The speaker is in standby mode.	Push the SOURCE knob.
THE SPEAKER CANNOT CONNECT TO A Wi-Fi NETWORK.	There is no Wi-Fi network available.	Connect to the speaker via Bluetooth or using a cable.
	Speaker is receiving too little Wi-Fi signal.	Move speaker closer to the Wi-Fi router.

TROUBLESHOOTING


PROBLEM	CAUSE	ACTION
THERE IS NO SOUND	The wrong sound source is selected.	Turn and push the SOURCE knob to choose a different sound source.
	Volume is set too low on either the sound source or the speaker.	Slightly increase the volume on your sound source or the speaker.
CANNOT CONNECT TO A Wi-Fi DEVICE	Wi-Fi is not enabled on your device (smartphone, tablet, computer).	Enable Wi-Fi on your device.
	Wi-Fi is not enabled on your speaker.	Turn the SOURCE knob to Wi-Fi and push and hold for 3 seconds to make the speaker discoverable by the device.
CANNOT CONNECT OR PAIR WITH A Bluetooth DEVICE	Bluetooth is not enabled on your device (smartphone, tablet, computer).	Activate Bluetooth on your device.
	Bluetooth is not enabled on your speaker.	Turn the SOURCE knob to Bluetooth and push and hold for 3 seconds to make the speaker discoverable by the device.
	Your device prompts you for a pin code.	In most cases, no pin code (password) is needed. If a pin code is requested, use the pin code 0000 .
THE SPEAKER IS NOT RESPONDING	A software problem has occurred.	Unplug the speaker power plug from the wall socket, wait for 15 seconds, then plug it in again
		Reset the speaker to its factory state.

TROUBLESHOOTING

PROBLEM	CAUSE	ACTION
Bluetooth CONNECTION DROPS OUT	The two Bluetooth devices are too far apart or the connection is affected due to obstacles.	Move the devices closer so that they are within 10 metres, and unobstructed by obstacles such as walls or doors
	There is a strong electric field surrounding the Stanmore Multi-Room.	Items such as microwave ovens, wireless network adapters, fluorescent lights and gas cookers use the same frequency range as the Bluetooth device. This may lead to electrical disturbances.
MULTI MODE DOES NOT WORK	Multi Mode is not activated on the speaker.	Push the SINGLE/MULTI MODE button on all speakers to be included in the Multi Mode group.
	The speaker who originally started streaming audio in the group (server) has dropped out of the group.	Start playing music again on the server speaker or configure the group in the Marshall Multi-Room app.
THE AUDIO IS CUTTING OUT IN MULTI MODE	The Wi-Fi bandwidth is too low for Multi Mode to play at normal quality.	Adjust the streaming quality to compensate for the low Wi-Fi bandwidth by setting the “Multi Streaming Quality” to “Low” in the Marshall Multi-Room app.

TROUBLESHOOTING

PROBLEM	CAUSE	ACTION
THERE IS A CRACKLING SOUND	The amplifier is clipping as it has run out of output power.	Decrease the volume on your sound source.
		Lower the volume or bass on the Stanmore Multi-Room.
THE SOUND IS DISTORTED	Volume is set too high on the sound source.	Turn down the playback volume on the sound source.
	The audio stream or sound file is of poor quality.	Try another sound file or music player.
	Volume is set too high on the Stanmore Multi-Room.	Lower the volume on the speaker.
	Too much bass/treble on the speaker.	Lower the bass/treble on the speaker.
ERRATIC PERFORMANCE	Interference from another electronic device.	Move the Stanmore Multi-Room to another spot.
		Turn off or move the interfering electronic device.



NOTES:

DEPENDING ON THE WIRELESS ROUTER USED, SOME NETWORK OPERATIONS MAY PERFORM DIFFERENTLY.

FOR DETAILED INFORMATION ON NETWORKING WITH A WIRELESS ROUTER OR MODEM, REFER TO ITS DOCUMENTATION.

SELECT A WIRELESS CHANNEL THAT IS NOT CURRENTLY BEING USED. IF THE SELECTED CHANNEL IS USED BY ANOTHER COMMUNICATION DEVICE NEARBY, RADIO INTERFERENCE MAY RESULT IN COMMUNICATION FAILURE.

BY ITS NATURE, WIRELESS LAN MAY EXPERIENCE RADIO INTERFERENCE DEPENDING ON ENVIRONMENTAL CONDITIONS (SUCH AS WIRELESS ROUTER PERFORMANCE, DISTANCE, OBSTRUCTION, INTERFERENCE WITH OTHER WIRELESS DEVICES, ETC.)

WEP ENCRYPTION DOES NOT WORK WITH WPS (PBC) / WPS (PIN).

WWW.MARSHALLHEADPHONES.COM